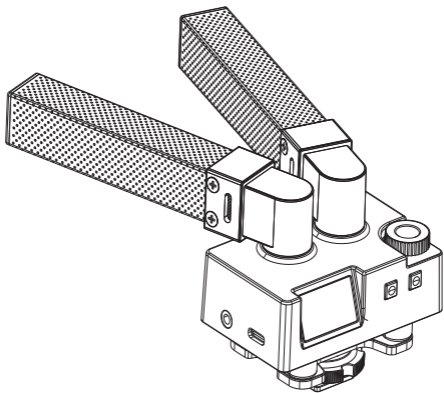


# COMICA

PROFESSIONAL AUDIO EQUIPMENT



## **Traxshot** **PRO**

Super Cardioid Transformable All-in-One Shotgun Mic

### **User Manual**



## Foreword

Thanks for purchasing COMICA Traxshot PRO All-in-One Shotgun Microphone

## Main Features

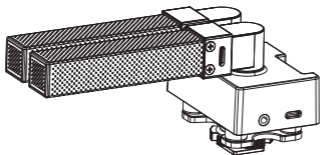
- Super Cardioid Pattern, Broadcast Sound Quality
- Automatic/Programmable Manual Multi-pickup Modes with Intelligent Switch
- Digital/Analog Output Mode, Universal for Camera, Phone and Computer
- Intelligent Auto-sensing 3.5mm Output and Power Switch
- Innovative and Effective Air-float Shock-absorption Design
- IPS Screen for Intuitive Power, Audio Dynamic, Pickup Mode
- Support Real-time Monitor, Gain Control and Two Stage Low-cut Filter
- Built-in Rechargeable Battery, Battery Life Up to 22 hours
- Support USB-C Port to Upgrade System Firmware
- Internal Windproof Design, Effectively Reduce Basic Wind Noise
- High-density Wind Muff, Effectively Filter the High-level Wind Noise

## Notice

- ⚠ Some cameras can't identify the 3.5mm TRRS-TRRS audio cable, please use the 3.5mm TRS-TRS audio cable
- ⚠ When using with iOS devices, please buy the related OTG audio adapter cable by yourself
- ⚠ The stereo is automatically merged into mono when working with smartphones and laptops in stereo mode of analog output
- ⚠ At 180° pickup angle in A/PS pickup mode, Mic 1 should be used in the rear and Mic 2 in the front
- ⚠ For Android smartphones, Traxshot PRO works well in audio mode, it may not be compatible with partial smartphones with system versions lower than Android 12.0 (Then we suggest you to try the 3rd party APP, such as TikTok, Filmic Pro, ect.)
- ⚠ For iPhones, Traxshot PRO works well either in audio or video mode

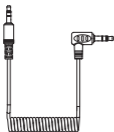
## Packing List

### Main Parts:

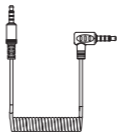


Traxshot PRO

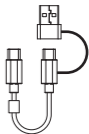
### Accessories:



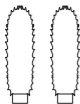
3.5mm TRS-TRS Audio Cable



3.5mm TRRS-TRRS Audio Cable



2 in 1 Audio Cable



Wind Muff



Portable Package



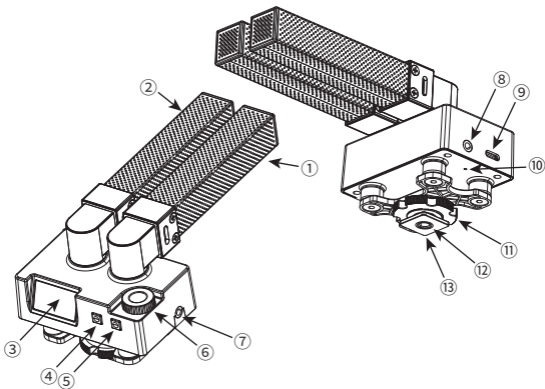
User Manual



Warranty Card

## Traxshot PRO

1. Mic2 Capsule
2. Mic1 Capsule
3. IPS Display
4. Pickup Mode Switch Button
5. Power/LCF Switch Button
6. Gain Control Knob
7. 3.5 mm TRS/TRRS Audio Output Port
8. 3.5mm TRS/TRRS Monitoring Port
9. USB-C Charging&Upgrading&Audio Output Port
10. Reset Hole
11. Locking Screw
12. 1/4 Thread Hole
13. Cold Shoe



## 1. Power/LCF Switch Button

Long press to turn on/off the Traxshot PRO, short press to switch 75/150Hz two-grade low cut filter.



Traxshot PRO features an auto-power function that automatically turns the microphone on/off when it detects that the camera/USB device is switched on/off. It also features a power button, so that it can be manually powered on and off in unrecognized situations.

## 2. Pickup Mode Switch Button

Short press to switch A/PM/PS three pickup modes; 'A mode' means automatic pickup mode, which automatically switches to mono or stereo according to the pickup angle of the microphone; 'PM mode' means programmable mono pickup mode, which delivers mono audio at any pickup angle; 'PS mode' means programmable stereo pickup mode, which delivers stereo audio at any pickup angle.



MODE

## 3. Gain Control Knob

Adjust the mic gain and monitor volume via the knob.



#### 4. 3.5mm TRS /TRRS Audio Output Port

Connect corresponding devices via 3.5mm TRS-TRS/TRRS-TRRS audio output cable.

**OUT**



#### 5. USB-C Charging&Upgrading&Audio Output Port

Plug in 2 in 1 audio output cable for charging, upgrading and audio output.



The upgrade method is as follows:

- 5.1 Long press the MODE button of Traxshot PRO to enter upgrade interface;
- 5.2. Connect the Traxshot PRO to the computer via USB-C cable;
- 5.3. Copy the new firmware file of Traxshot PRO to the corresponding disk;
- 5.4. Unplug the USB-C cable after the computer ejects the USB flash disk;
- 5.5. Turn off Traxshot PRO and Turn on Traxshot PRO again to use new firmware.

#### 6. 3.5mm TRS/TRRS Monitoring Port

Plug in 3.5mm TRS/TRRS headphone for monitoring.

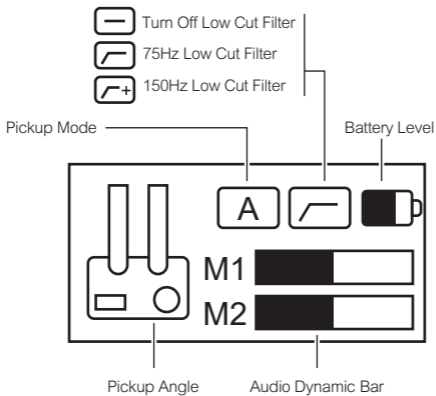


#### 7. Reset Hole

Plug in needle-shaped objects for resetting Traxshot PRO.

○ **RESET**

## Screen Display:





## The Symbol of Sound Pickup Angle :



0° Pickup Angle



30° Pickup Angle



90° Pickup Angle



180° Pickup Angle

## Pickup Mode :



'A mode' means automatic pickup mode, which automatically switches to mono or stereo according to the pickup angle of the microphone. It delivers mono audio at 0° pickup angle, stereo audio at 30°/90°/180° pickup angle.



'PM mode' means programmable mono pickup mode, which delivers mono audio at any pickup angle.



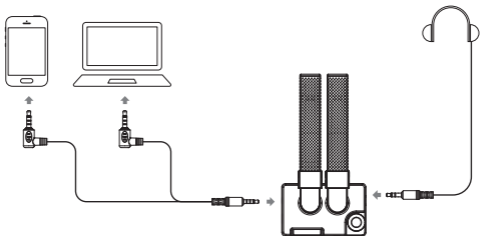
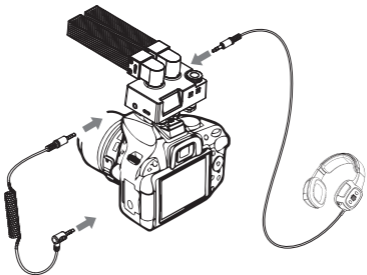
'PS mode' means programmable stereo pickup mode, which delivers stereo audio at any pickup angle.



The stereo is automatically merged into mono when working with smartphones and laptops in stereo mode of analog output.

### Analog Mode:

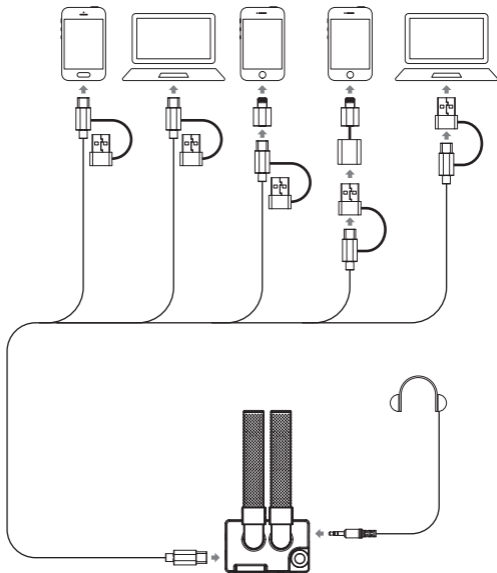
Connect the camera/ computer/ phone via the 3.5mm TRRS-TRRS audio cable; Choose whether to monitor according to your needs.



Some cameras can't identify the 3.5mm TRRS-TRRS audio cable, please use the 3.5mm TRS-TRS audio cable.

## Digital Mode:

Connect the computer/ phone via the the 2 in 1 audio cable and related OTG audio cables/adapters; Choose whether to monitor according to your needs.



## Specification

Polar Pattern	Super Cardioid
Frequency Response	20Hz ~ 20kHz
Sensitivity	-38dB ~ -18dB
Low Cut	75Hz / 150Hz
Output Impedance	600Ω
S/N	75dB
Equivalent Noise	19dBA
Maximum SPL	130dB SPL
Dynamic Range	111dB
Analog Output Port	3.5mm TRS / TRRS
Digital Output Port	USB-C / 48kHz 24bit
Monitoring Port	3.5mm TRS / TRRS
Battery Capacity	Lithium 3.7V 330mAh
Battery Life	22 Hours
Net Weight	250g
Dimension	150 x 80 x 75mm
Working Temperature	0°C ~ 50°C
Storage Temperature	-10°C ~ 60°C



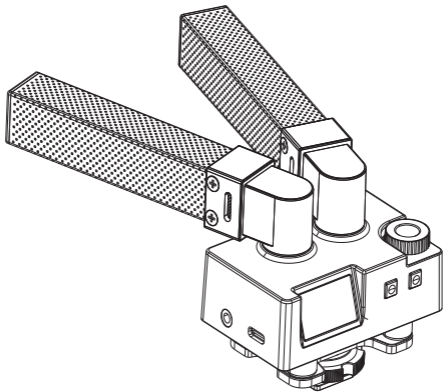
Website: [comica-audio.com](http://comica-audio.com)

Facebook: Comica Audio Tech Global

Instagram: Comica Audio

YouTube: Comica Audio





## **Traxshot** **PRO**

超心型多功能变形枪式麦克风

用户使用手册





## 前言

感谢您购买科唛Traxshot PRO超心型多功能变形枪式麦克风

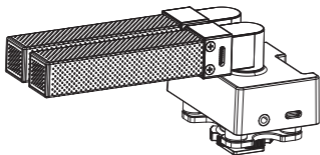
### 产品主要功能

- 超心型指向，自动及自定义手动多拾音模式
- 数字/模拟双输出模式，通用于相机、手机、电脑
- 3.5mm智能感测输出，支持自动识别开关机
- 首创气囊减震设计，有效减少物理噪音
- IPS显示屏，可视化电量、音频动态条及拾音模式
- 支持实时监听，无级增益可调，两档低切模式
- 内置可充电锂电池，续航时间高达22小时
- 搭载USB-C接口，支持系统固件升级
- 机内防风设计，有效代替防风棉降低基础风噪
- 高密度防风毛，有效滤除高级风噪

### 注意事项

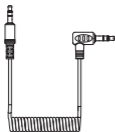
- ⚠ 部分相机无法智能识别3.5mm TRRS-TRRS音频连接线，请使用3.5mm TRS-TRS音频连接线
- ⚠ 搭配iPhone手机使用时请另外购买相关OTG音频转换线
- ⚠ 在模拟输出的立体声模式下搭配手机和笔记本电脑使用时，立体声会自动合并为单声道
- ⚠ 在180度拾音模式下，Mic2作为前端麦克风使用，Mic1作为后端麦克风使用
- ⚠ 配合Android（安卓）系统的手机使用时，录音模式下均可正常工作，视频模式下系统版本低于Android 12.0的部分手机会出现不兼容的情况（此时建议使用第三方视频软件，如：抖音，快手等）
- ⚠ 配合iPhone手机使用时，在所有录音模式、视频模式以及第三方视频软件下均可正常使用

主体:

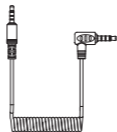


Traxshot PRO

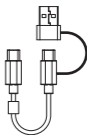
配件:



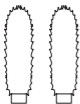
3.5mm TRS-TRS音频线



3.5mm TRRS-TRRS音频线



二合一音频连接线



防风毛



便携包



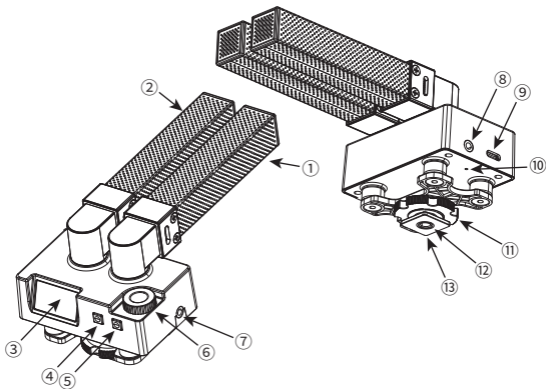
说明书



保修卡

## Traxshot PRO


1. 麦克风2
2. 麦克风1
3. IPS显示屏
4. 拾音模式切换按钮
5. 电源/低切开关
6. 增益调节旋钮
7. 3.5mm TRS/TRRS耳机监听口
8. 3.5mm TRS/TRRS 音频输出口
9. USB-C充电&升级&音频输出口
10. 复位孔
11. 锁紧螺盘
12. 1/4螺纹孔
13. 冷靴座



## 1. 电源/低切开关

长按开关机，短按切换75/150Hz两挡低切



 Traxshot PRO可智能识别输出设备实现自动开关机，如出现无法识别的情况可手动开关机。

## 2. 拾音模式切换按钮

短按切换A/PM/PS三种拾音模式；A模式为自动拾音模式，根据麦克风的拾音角度自动切换至单声道或立体声；PM模式为自定义单声道拾音模式，在任何拾音角度下均为单声道；PS模式为自定义立体声拾音模式，在任何拾音角度下均为立体声



MODE

## 3. 增益调节旋钮

旋转调节麦克风增益及耳机监听音量



## 4. 3.5mm TRS/TRRS 音频输出口

通过3.5mm TRS-TRS/TRRS-TRRS音频输出线连接相应设备


OUT



## 5. USB-C充电&升级&音频输出口

插入二合一音频连接线可进行充电，升级及数字音频输出



 升级方法如下：

- 5.1. 长按Traxshot PRO的MODE按键进入升级界面；
- 5.2. 通过USB-C数据线连接Traxshot PRO与电脑；
- 5.3. 拷贝对应版本的升级文件到Traxshot PRO对应的盘符；
- 5.4. 电脑退出U盘模式后拔掉USB-C数据线；
- 5.5. 关机后，再次开机即可使用新的固件。

## 6. 3.5mm TRS/TRRS耳机监听孔

插入3.5mm TRS/TRRS耳机进行监听

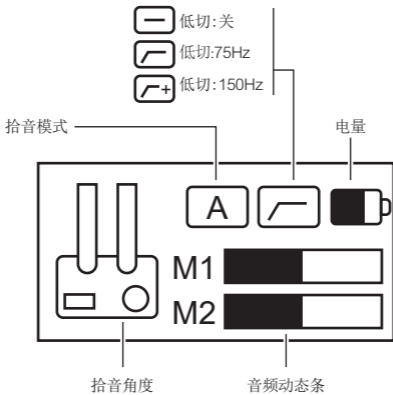


## 7. 复位孔

使用针状物插入即可复位Traxshot PRO

○ RESET

屏幕显示:



## 拾音角度对应的符号：



0度拾音模式



30度拾音模式



90度拾音模式



180度拾音模式

## 拾音模式：



A模式为自动拾音模式，根据麦克风的拾音角度自动切换至单声道或立体声，0度拾音模式下为单声道，30/90/180度拾音模式下均为立体声



PM模式为自定义单声道拾音模式，在任何拾音角度下均为单声道



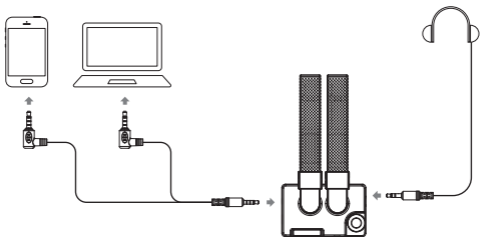
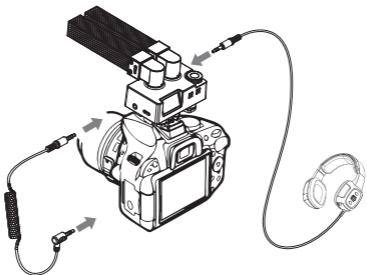
PS模式为自定义立体声拾音模式，在任何拾音角度下均为立体声



在模拟输出的立体声模式下搭配手机和笔记本电脑使用时，立体声会自动合并为单声道

### 模拟模式输出：

通过3.5mm TRRS-TRRS音频连接线连接Traxshot PRO和相机、电脑、手机；根据个人需求选择是否进行监听

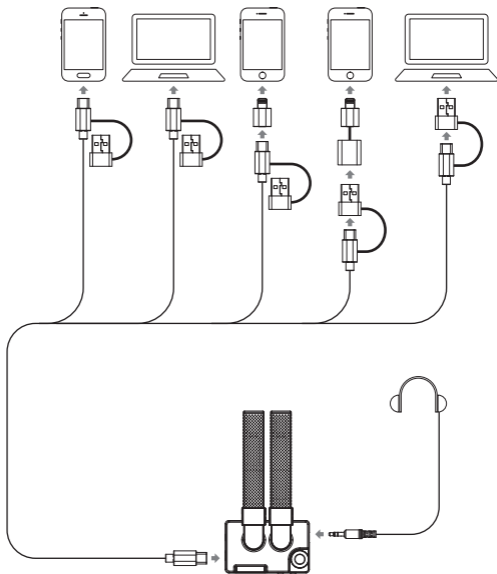


 部分相机无法智能识别3.5mm TRRS-TRRS音频连接线，请使用3.5mm TRS-TRS音频连接线



## 数字模式输出：

通过二合一音频连接线和相关OTG音频转接线/转接头连接Traxshot PRO和手机、电脑；根据个人需求选择是否进行监听



指向性	超心型
频率响应	20Hz ~ 20kHz
灵敏度范围	-38dB ~ -18dB
低切	75Hz / 150Hz
输出阻抗	600Ω
信噪比	75dB
等效噪声	19dBA
最大声压级	130dB SPL
动态范围	111dB
模拟输出	3.5mm TRS / TRRS
数字输出	USB-C / 48kHz 24bit
监听输出	3.5mm TRS / TRRS
电池容量	锂聚合物电池 3.7V 330mAh
续航时间	22小时
产品净重	250g
产品尺寸	150 x 80 x 75mm
工作温度	0°C ~ 50°C
存储温度	-10°C ~ 60°C





扫二维码关注  
科唛官方公众号



COMICA科唛



COMICA科唛



COMICA科唛



COMICA科唛

邮箱：[support@comica-audio.com](mailto:support@comica-audio.com)

电话：400-8303-981

网址：[comica-audio.com](http://comica-audio.com)

版权及科唛商标归咔莱科技有限公司所有