

VM30
2.4G Super Cardioid Condenser Wireless Shotgun Microphone

User Manual

Foreword

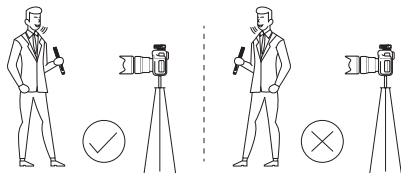
Thanks for purchasing COMICA VM30 2.4G Super Cardioid Condenser Wireless Shotgun Microphone

Main Features

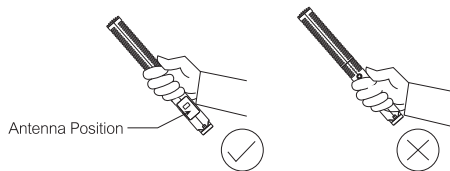
- Groundbreaking Shotgun Microphone with Integrated Wireless Module
- Support Wired/Wireless Dual Modes for One-button Switch
- 48kHz/24bit Super Cardioid Recording, Broadcasting-level Sound Quality
- Digital/Analog Output, Universal for Camera, Smartphone, Computer
- Intelligent Auto-sensing 3.5mm Output and Power Switch
- 75/150Hz Two Low-cut Filter Modes, High-frequency Boost
- Support Gain Control, Safety Mode, Real-time Monitor and Muting
- OLED Screen for Monitoring and Visual Operation
- Built-in Rechargeable Lithium Battery, Support Charging While Using
- Battery Life Up to 50H in Wired Mode, Up to 7H in Wireless Mode
- Low Latency<20ms, Wireless Working Range Up to 100m (Open Area)
- Full Metal Material, Super-shielding, Stable and Durable

Notice

- ⚠ When it needs to be used for a long time, it can be connected to the external power to realize charging while using. AC/DC power is not supported to avoid noise problem
- ⚠ Don't block the antenna position to avoid any poor signal generated
- ⚠ In wireless mode, for a better recording effect, please adjust the gain of the transmitter first. After the transmitter is adjusted to the maximum gain level, then adjust the gain of the receiver accordingly
- ⚠ This product belongs to high-precision instruments, please avoid falling, collision or pounding
- ⚠ Do not use this equipment in the vicinity of heat sources or interference sources, such as radiator, oven, refrigerator or air conditioner
- ⚠ If the pick-up distance is close or when used outdoors, please put on the windmuff to prevent sound burst or reduce wind noise
- ⚠ Do not use the equipment in rain or in a damp environment to avoid short-circuit danger



Please keep face to face when using it, and don't turn your back to the receiver, otherwise, it is easy to generate breakpoints



Don't block the antenna position to avoid any poor signal generated

Packing List

Main Parts:

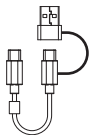


Shotgun Microphone(Transmitter)

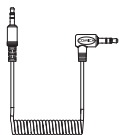


Receiver

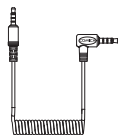
Accessories:



2 in 1
Charging&Output Cable



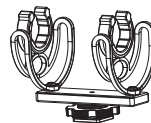
3.5mm TRS-TRS
Audio Output Cable



3.5mm TRRS-TRRS
Audio Output Cable



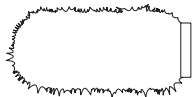
Microphone Clip



Shock Mount



Windscreen



Windmuff



Pin



Carry Case

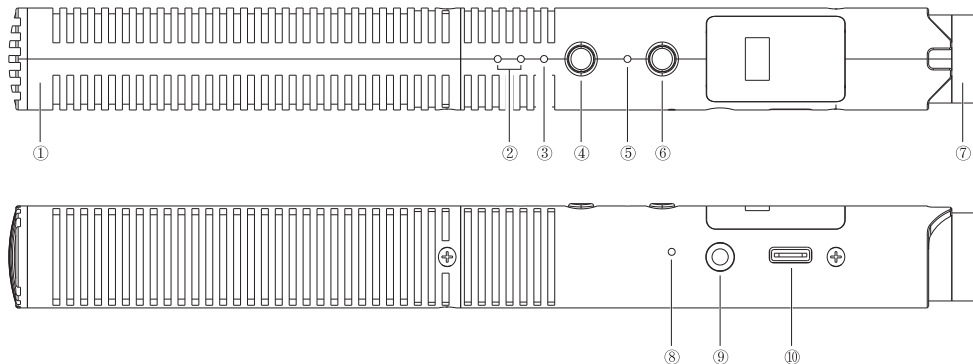


User Manual



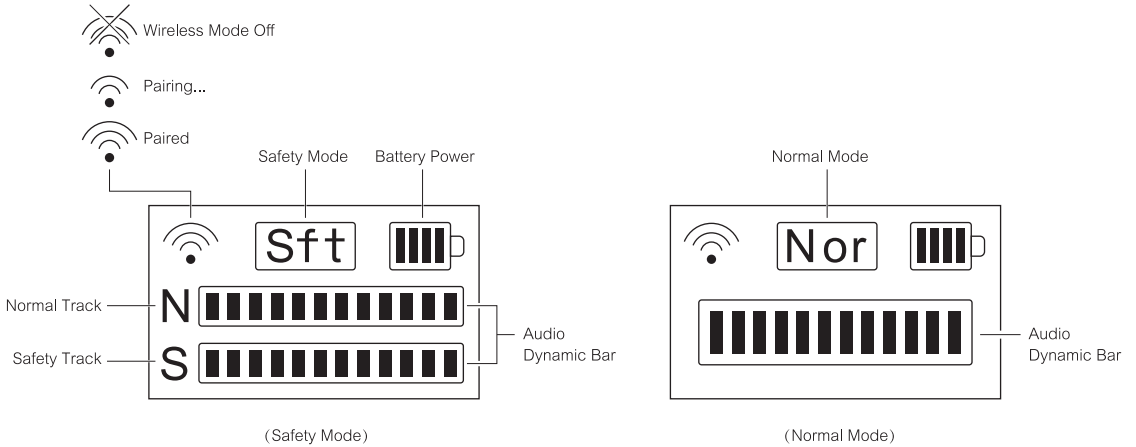
Warranty Card

Microphone (Transmitter)

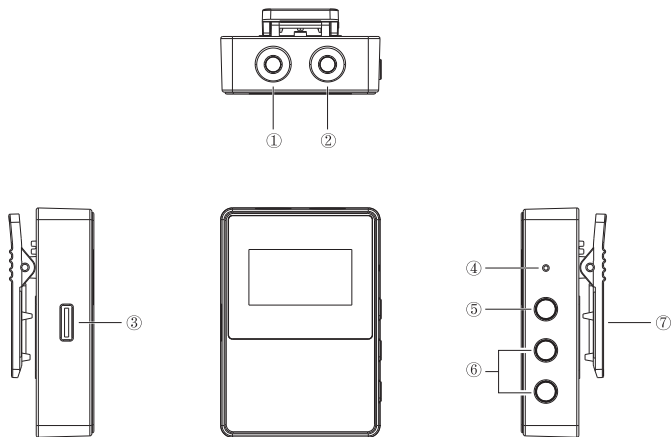


1. Mic Capsule
2. Low Cut Indicator: Corresponding indicator lights up blue when turned on
3. High-frequency Boost Indicator: Blue light on when turned on
4. Modes Switch Button: Short press to switch between 75/150Hz low-cut and high-frequency boost functions; Long press to turn on Safety Mode (Safety Mode is only available in wired mode)
5. Working Indicator: Green light on in wired mode; In wireless mode, blue light flashes when pairing, and blue light on when paired
6. RF Button: In wireless mode, long press to turn on/off microphone; in wired mode, long press to turn on/off wireless mode
7. Gain Control Knob: Rotate to adjust microphone gain
8. Pairing Hole: When the wireless connection is abnormal, use the pin to short-press the pairing hole to re-pair
9. 3.5mm Output Port: To identify TRS/TRRS plug automatically and output analog audio through the 3.5mm TRS-TRS/TRRS-TRRS audio cable
10. USB-C Charging/Output Port: Plug in the 2 in 1 charging&output cable to charge or output digital audio

Screen Display Instruction :

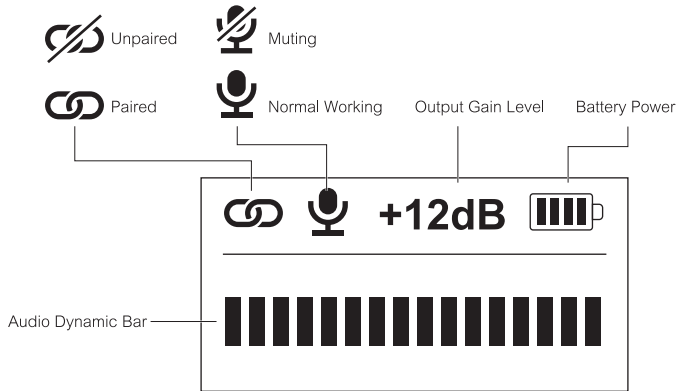


Receiver



1. 3.5mm Monitoring Port: Plug in 3.5mm TRS/TRRS headphones for monitoring
2. 3.5mm Output Port: To identify TRS/TRRS plug automatically and output analog audio through the 3.5mm TRS-TRS/TRRS-TRRS audio cable
3. USB-C Charging/Output Port: To charge or output digital audio with the 2 in 1 charging&output cable
4. Reset Hole: If there is an abnormal phenomenon such as the device is crash or unable to turn on it, then insert the reset pin into the reset hole to reset it
5. Power/Mute Button: Long press to power on/off; Short press to turn on/off the mute function
6. Gain Control/Screen Flip Button: Short press to adjust the gain; Long press to flip the screen
7. Belt Clip

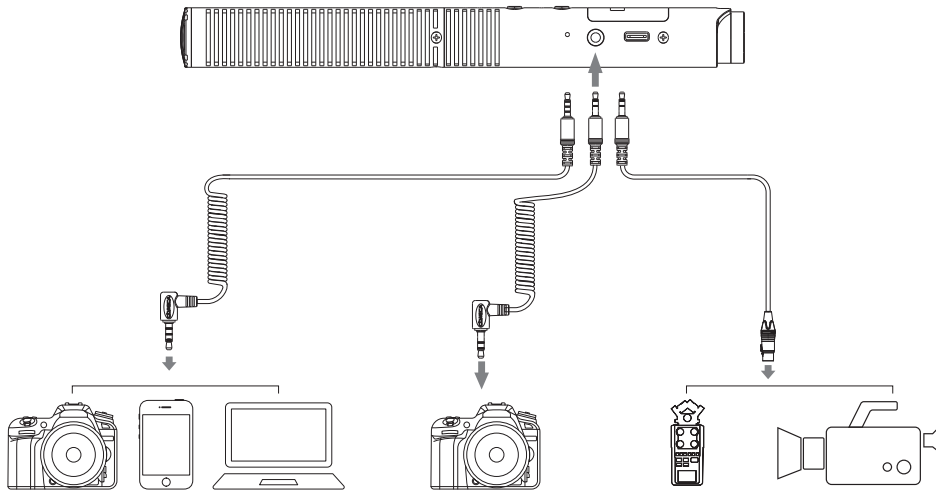
Screen Display Instruction :



Wired Mode

3.5mm Analog Output

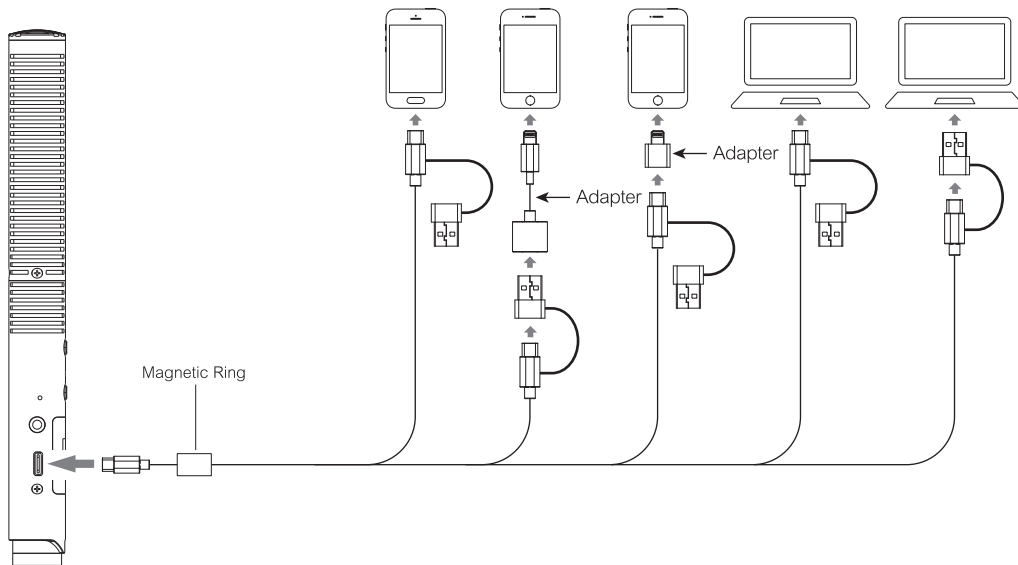
Connect the shotgun microphone to the camera/smartphone/computer through the 3.5mm audio cable, or connect to the camcorder/recorder through the 3.5mm TRS-XLR audio cable



1. TRRS-TRRS audio cable for cameras/smartphones/computers, TRS-TRS audio cable for some cameras not compatible with TRRS-TRRS audio cable, TRS-XLR audio cable for recorders/camcorders. Please purchase a TRS-XLR audio cable with a chip
2. VM30 can not automatically switch on/off when used on devices with an XLR interface. Users need to long press the RF button to turn on/off the microphone manually

USB Digital Output

Connect the shotgun microphone to the smartphone or computer through the 2 in 1 charging&output cable and related OTG audio adapter cable



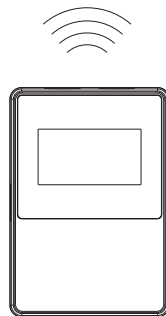
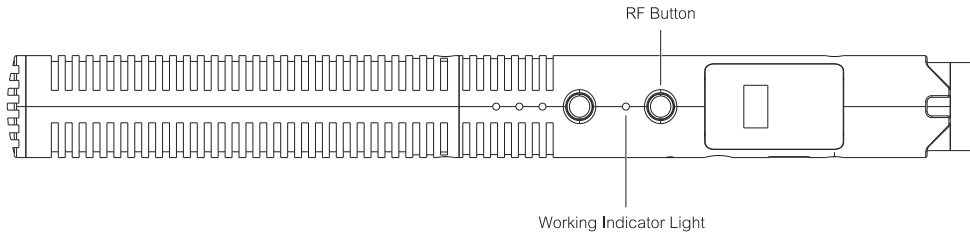
1. It's recommended to insert the USB end with the magnetic ring into the microphone and connect the other end to the smartphone/computer
2. When using with Lightning interface devices, please purchase a USB-Lightning adapter/cable that supports the OTG function

Wireless Mode

Connection

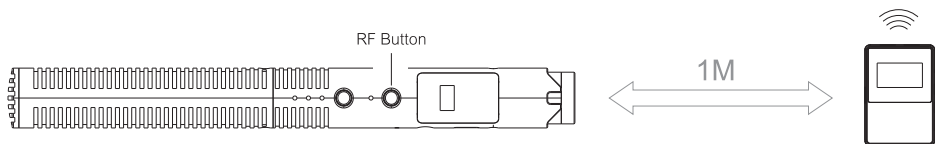
Paired (The transmitter and receiver are paired by default at the factory)

Turn on the receiver and switch the transmitter into wireless mode by long pressing its RF button, then they will automatically connect

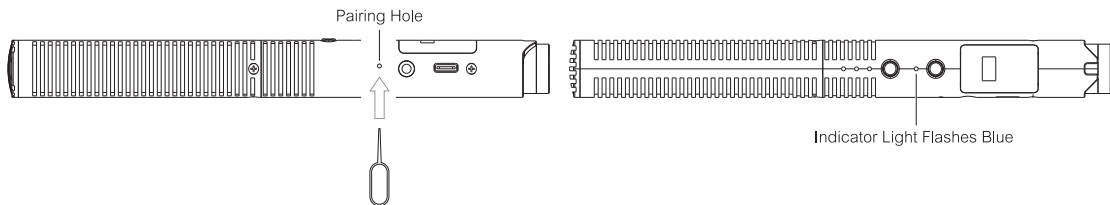


Unpaired (Re-pairing is required when the connection fails. Please follow the method below)

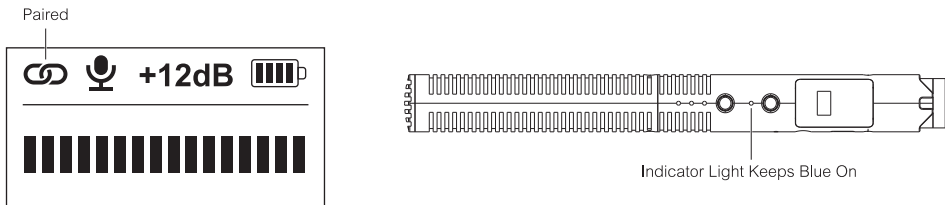
1. Keep the transmitter and receiver within 1m range, turn on the receiver and switch the transmitter into wireless mode by long-press its RF button



2. Short-press the transmitter's pairing hole with the equipped pin, making it enter the wireless pairing state. Before pairing, the indicator light flashes blue



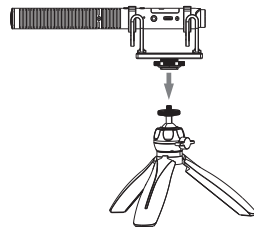
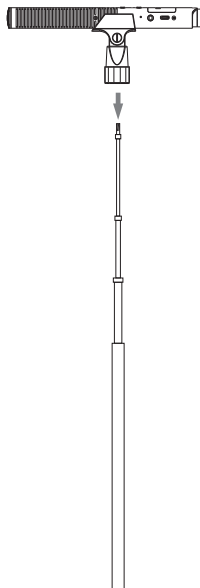
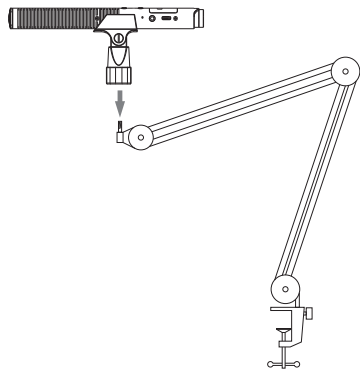
3. When pairing, the wireless icon on the screen turns into a paired icon; when paired, the indicator light keeps blue on



Usage

Transmitter

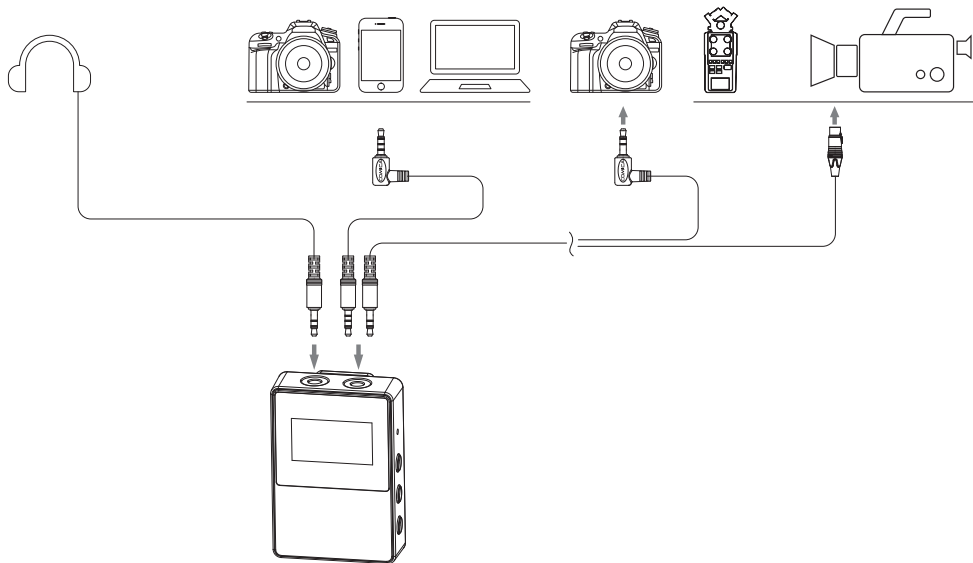
Use with arm stands, boom poles, and tripods



Receiver

3.5mm Analog Output

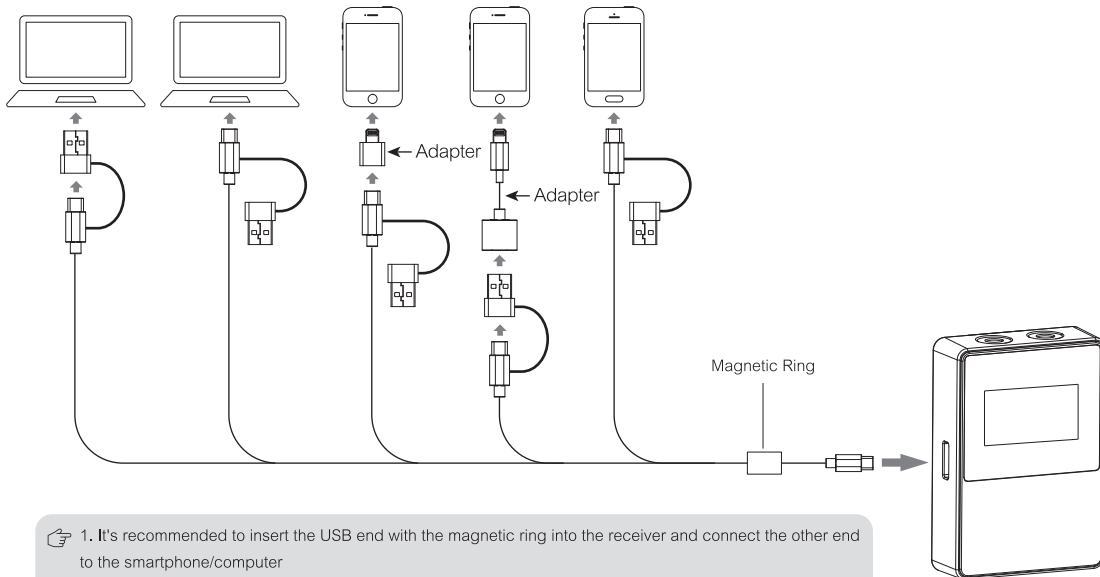
Connect the receiver to the camera/smartphone/computer through the 3.5mm audio cable, or connect to the camcorder/recorder through the 3.5mm TRS-XLR audio cable; Monitoring according to individual needs



☞ TRRS-TRRS audio cable for cameras/smartphones/computers, TRS-TRS audio cable for some cameras that are not compatible with TRRS-TRRS audio cable, TRS-XLR audio cable for recorders/camcorders. Please purchase a TRS-XLR audio cable with a chip

USB Digital Output

Connect the receiver to the smartphone/computer through the 2 in 1 charging&output cable and related OTG audio adapter cable



1. It's recommended to insert the USB end with the magnetic ring into the receiver and connect the other end to the smartphone/computer
2. When using Lightning interface devices, please purchase a USB-Lightning adapter/cable that supports the OTG function

Specifications

Wireless Band	2400~ 2483.5MHz
Transmitting Power	+10dBm
Receiving Sensitivity	-86dBm
Antenna	Transmitter: Ceramic Antenna; Receiver: PCB Antenna
Sound Delay	<20ms
Polar Pattern	Super Cardioid
Frequency Response	20Hz~20kHz
Low-cut	75Hz, 150Hz
High-frequency Boost	10kHz
Output Impedance	50Ω
Sensitivity	-38dB ~ -18dB re 1V/Pa(12mv ~ 125mv @ 94dB SPL) ±2dB @ 1kHz
S/N	75dB SPL(A-weighted, as per IEC651)
Equivalent Noise	19dB SPL(A-weighted, as per IEC651)
Maximum SPL	130dB SPL(@ 1% THD)
Dynamic Range	111dB SPL(A-weighted, as per IEC651)
Analog Output	3.5mm TRRS, TRS
Digital Output	USB-C 48kHz 24bit
Battery	Transmitter: Li-polymer 3.7V 350mAh; Receiver: Li-polymer 3.7V 330mAh
Battery Life	Wired Mode: 50 Hours for 3.5mm Devices; 8 Hours for XLR Devices Wireless Mode: 7 Hours
Dimensions	Transmitter: Φ22mm x L210mm; Receiver: 39 x 22 x 55mm
Net Weight	Transmitter: 93g; Receiver: 29g
Operating Temperature	0 C ~ 50 C
Storage Temperature	-20 C ~ 60 C



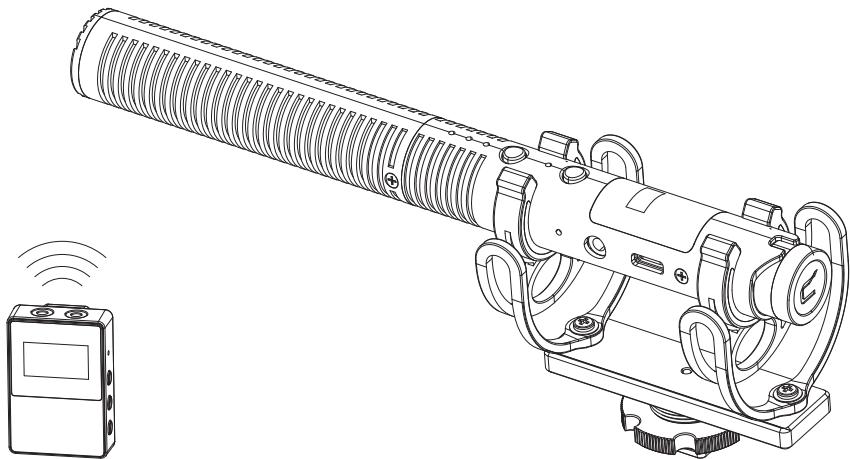
Website: comica-audio.com

Facebook: Comica Audio Tech Global

Instagram: Comica Audio

YouTube: Comica Audio

The COMICA LOGO is a trademark which is registered and owned by Commlite Technology Co.,Ltd
Email: support@comica-audio.com



VM30
2.4G超心型多功能无线枪式麦克风

用户使用手册

前言

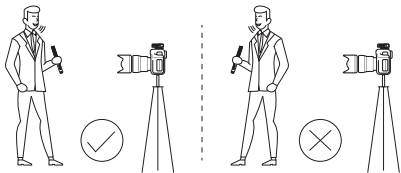
感谢您购买科唛COMICA VM30 2.4G超心型多功能无线枪式麦克风

产品主要功能

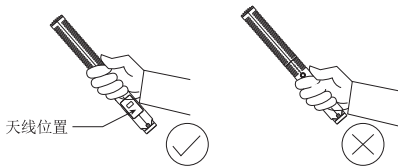
- 首创枪麦集成无线射频模块，有线无线双模式
- 48kHz/24bit录音，超心型指向，广播级音质
- 数字/模拟双输出模式，广泛兼容相机、手机、电脑
- 3.5mm智能感测输出，支持自动识别开关机
- 75/150Hz两档低切，一档高频提升
- 支持增益可调、安全音轨、实时监听等多功能
- 枪麦机身OLED显示屏，可视化操作
- 内置可充电锂电池，支持边充边用
- 长续航，有线/无线模式分别高达50小时/7小时
- 低音频延迟< 20ms，无线传输距离高达100m（空旷环境）
- 独特减震支架及高密度防风毛，有效滤除噪音
- 全金属结构，超强屏蔽，稳固耐用

注意事项

- △ 当需要长时间使用时，可连接外部移动电源实现边充边用；不支持AC/DC电源供电，否则会产生噪音
- △ 使用时避免任何物体遮挡天线位置，以免信号不良
- △ 无线模式下，为获得更好的录音效果，建议优先调节发射器增益，发射器增益调至最大后可再根据个人需求调节接收器增益
- △ 本产品属于高精密度仪器类产品，请避免使用时掉落、碰撞或重击
- △ 请勿将本设备放置在热源或干扰源附近使用，如散热器、烤箱
- △ 如拾音距离较近或于户外使用时，请套上麦克风防风毛，防止声音爆裂或降低风噪
- △ 不要在雨中或潮湿的环境中使用该设备，否则会有短路的危险



尽量保持面对面，避免背对的情况，否则容易产生断点

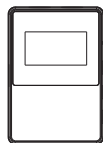


使用时避免任何物体遮挡天线位置，以免信号不良

主体:

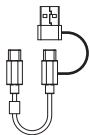


麦克风(发射器)



接收器

配件:



二合一充电&输出线



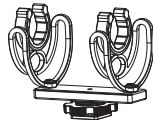
3.5mm TRS-TRS音频线



3.5mm TRRS-TRRS音频线



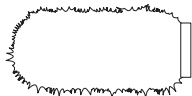
话筒夹



减震支架



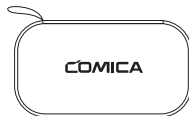
防风棉



防风毛



卡针



便携包

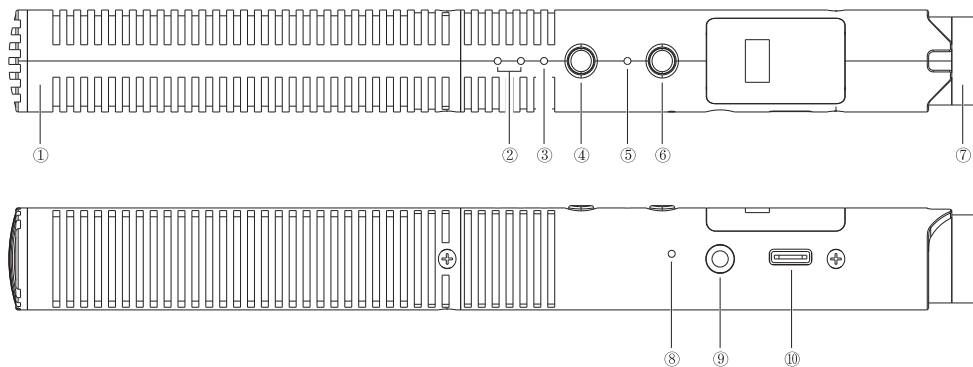


说明书



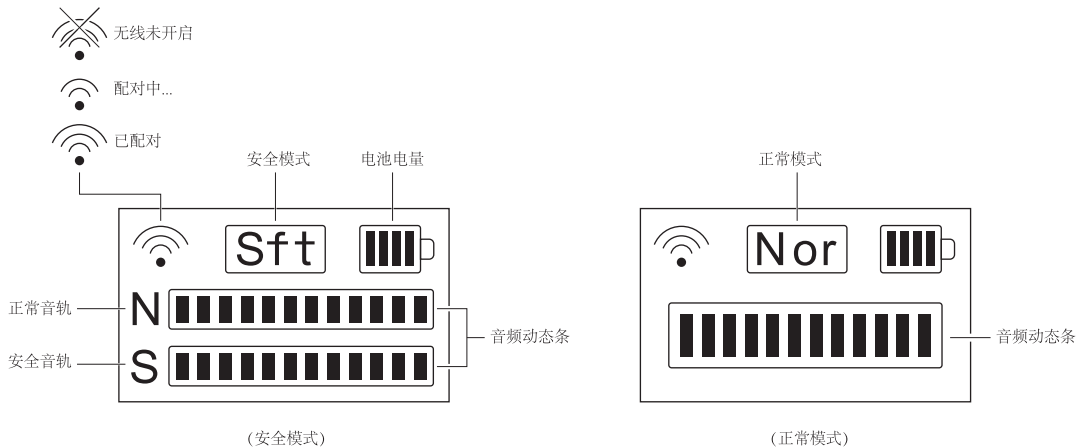
保修卡

麦克风（发射器）

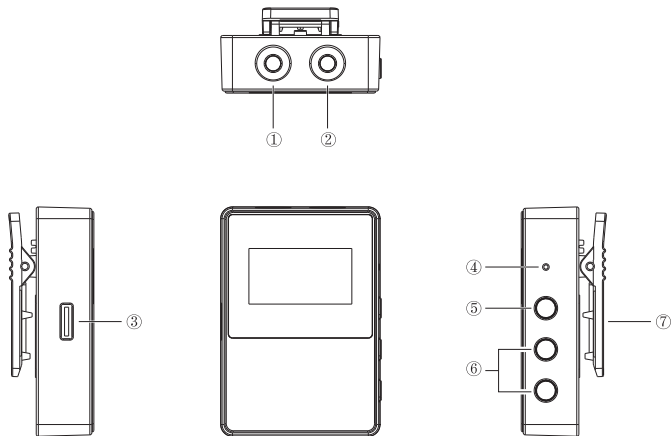


1. 拾音头
2. 低切指示灯：开启时相应低切指示灯亮蓝色
3. 高频提升指示灯：开启时亮蓝灯
4. 模式切换按键：短按切换75/150Hz两档低切和高频提升功能；长按开启安全音轨（安全音轨模式仅适用于有线模式下）
5. 工作指示灯：有线模式下，绿灯常亮；无线模式下，未配对时蓝灯闪烁，配对成功时蓝灯常亮
6. RF按键：无线模式下，长按开启/关闭麦克风；有线模式下，长按开启/关闭无线模式
7. 增益调节旋钮：旋转调节麦克风增益
8. 配对孔：无线连接出现异常时，使用卡针插入配对孔即可重新配对
9. 3.5mm输出接口：可自动识别TRS/TRRS插头，通过3.5mm TRS-TRS/TRRS-TRRS音频连接线连接设备输出模拟音频
10. USB-C充电/输出接口：插入二合一充电/输出线进行充电或数字输出音频

屏显说明：

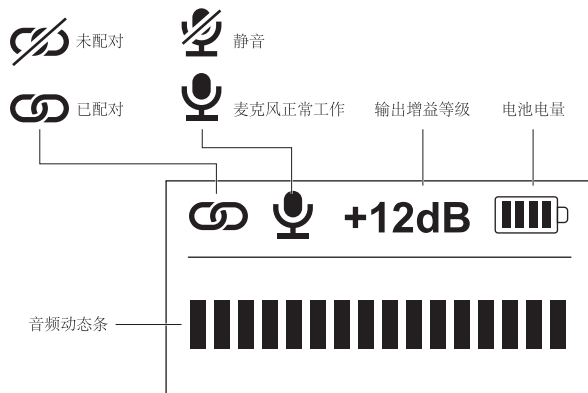


接收器



1. 3.5mm耳机监听插孔：插入3.5mm TRS/TRRS耳机进行监听
2. 3.5mm输出接口：可自动识别TRS/TRRS插头，通过3.5mm TRS-TRS/TRRS-TRRS音频连接线连接设备输出模拟音频
3. USB-C充电/输出接口：插入二合一充电/输出线进行充电或数字输出音频
4. 复位孔：如出现死机或开不了机等异常现象，使用卡针插入复位孔即可复位
5. 电源/静音按键：长按开机/关机，短按开启/关闭静音功能
6. 增益调节/屏幕翻转按键：短按调节增益，长按屏幕翻转
7. 背夹

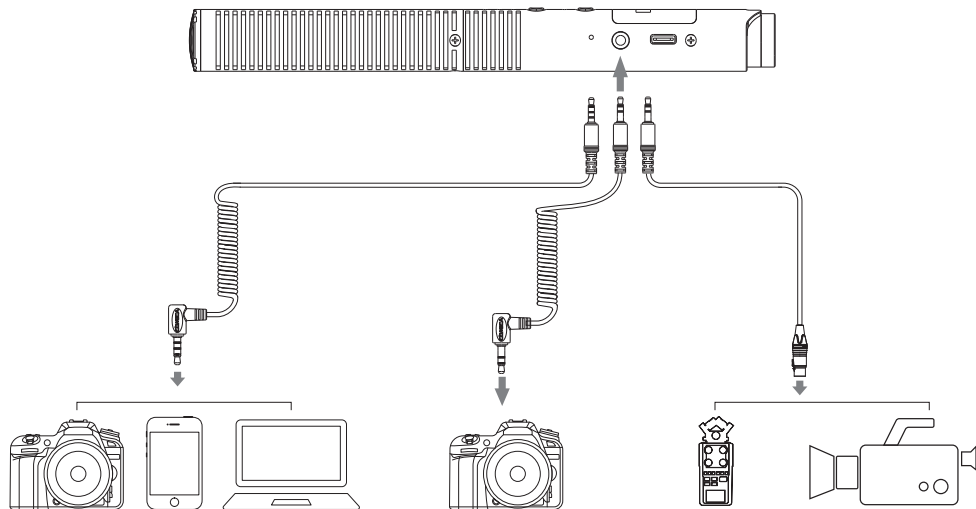
屏显说明：



有线模式

3.5mm模拟输出

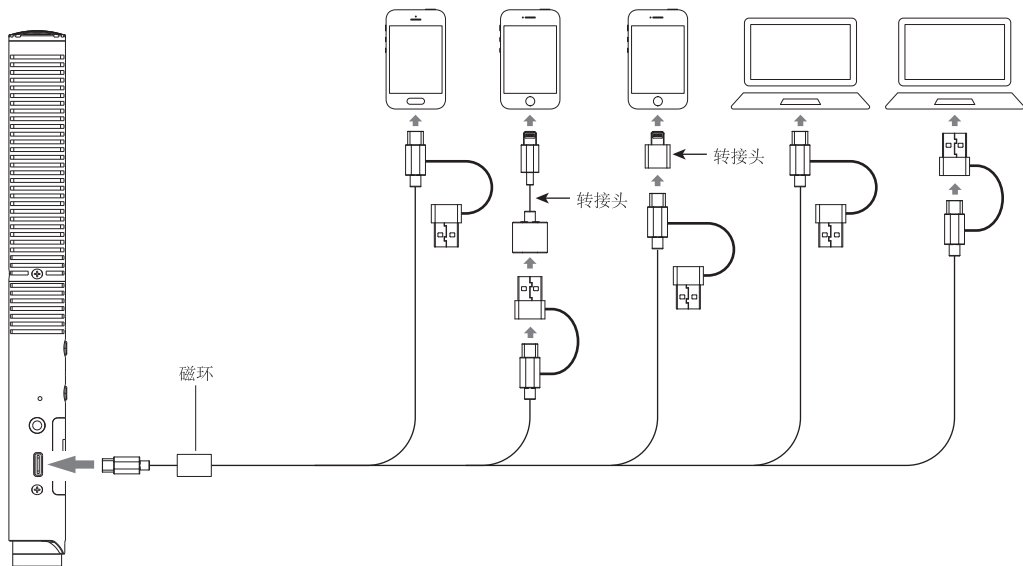
通过3.5mm音频连接线连接枪麦和相机/手机/电脑，或通过3.5mmTRS-XLR音频连接线连接摄影机/录音机



1. TRRS-TRRS音频线通用于相机/手机/电脑，TRS-TRS音频线适用于部分无法兼容TRRS-TRRS音频线的相机，TRS-XLR音频线适用于录音机和摄影机，请自行购买带芯片的TRS-XLR音频线
2. 用于XLR接口的设备时，枪麦无法自动开机，需长按RF键手动开机

USB数字输出

通过二合一充电&输出线和相关OTG音频转接线/转接头连接枪麦和手机/电脑



1. 为了更好的使用体验, 建议带磁环的一端插入麦克风, 另一端连接手机/电脑

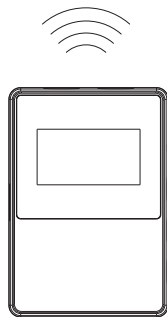
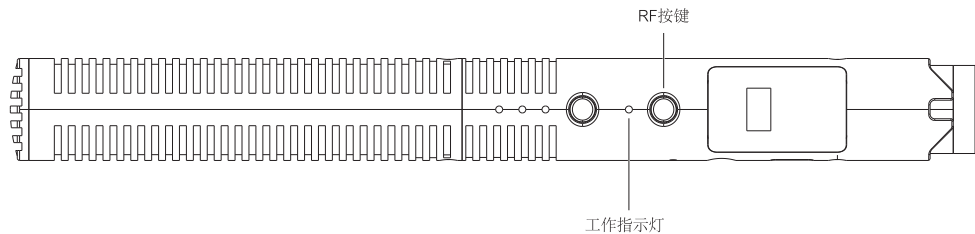
2. 搭配Lightning接口设备使用时, 请自行购买支持OTG功能的USB-Lightning转接线/转接头

无线模式

连接

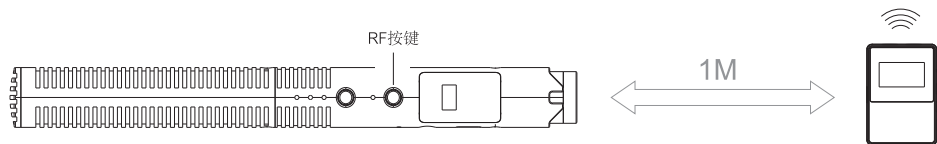
已配对（出厂时发射器与接收器默认配对）

将接收器开机并长按发射器RF按键开机并进入无线模式，即可自动连接

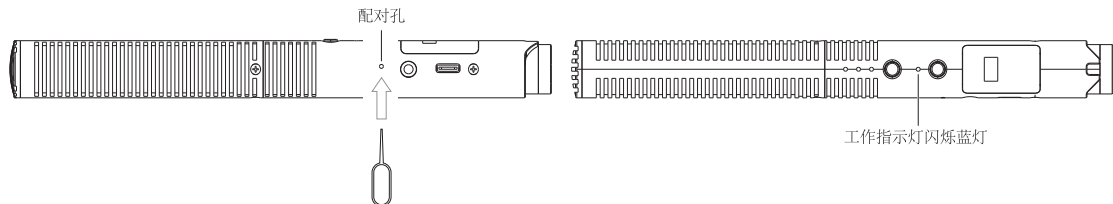


未配对（连接不上时需重新配对，方法如下）

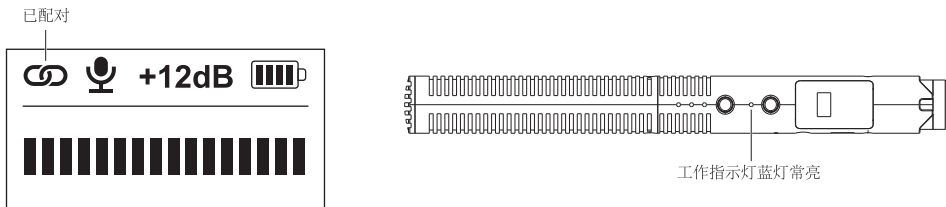
1. 保持发射器和接收器在一米范围内，将接收器开机并长按发射器RF按键使其开机并进入无线模式



2. 使用卡针短按发射器配对孔使其进入无线配对状态，此时工作指示灯闪烁蓝灯



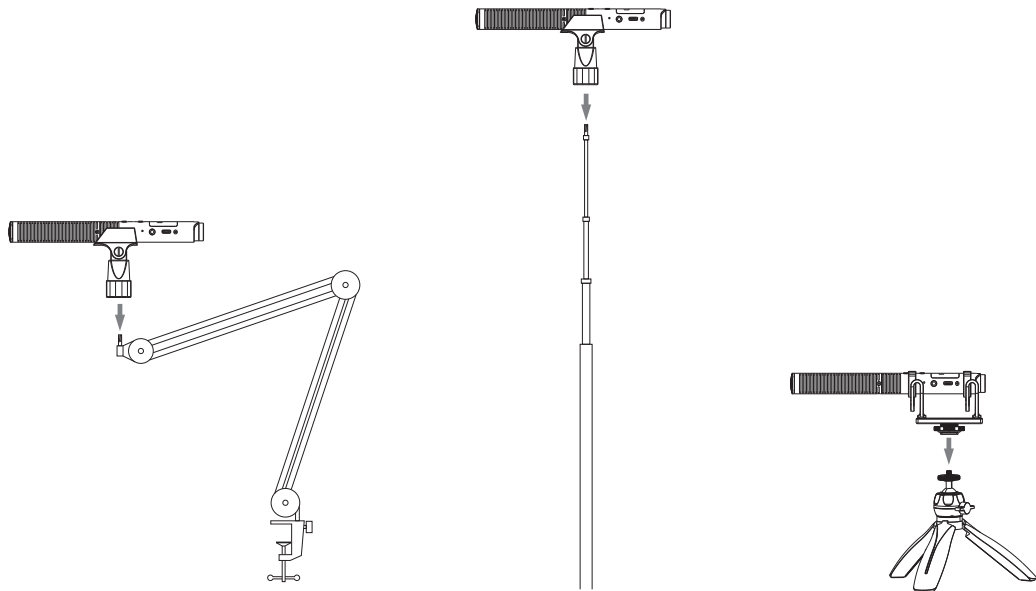
3. 配对时屏幕无线图标变成已配对图标；配对成功后发射器工作指示灯蓝灯常亮



使用

麦克风（发射器）

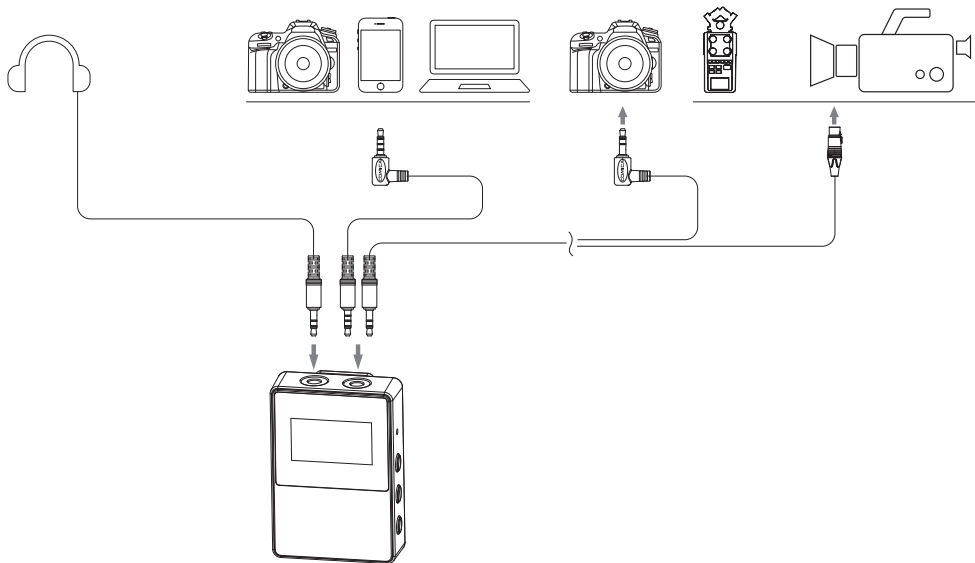
可搭配悬臂支架，挑杆，三脚架使用



接收器

3.5mm 模拟输出

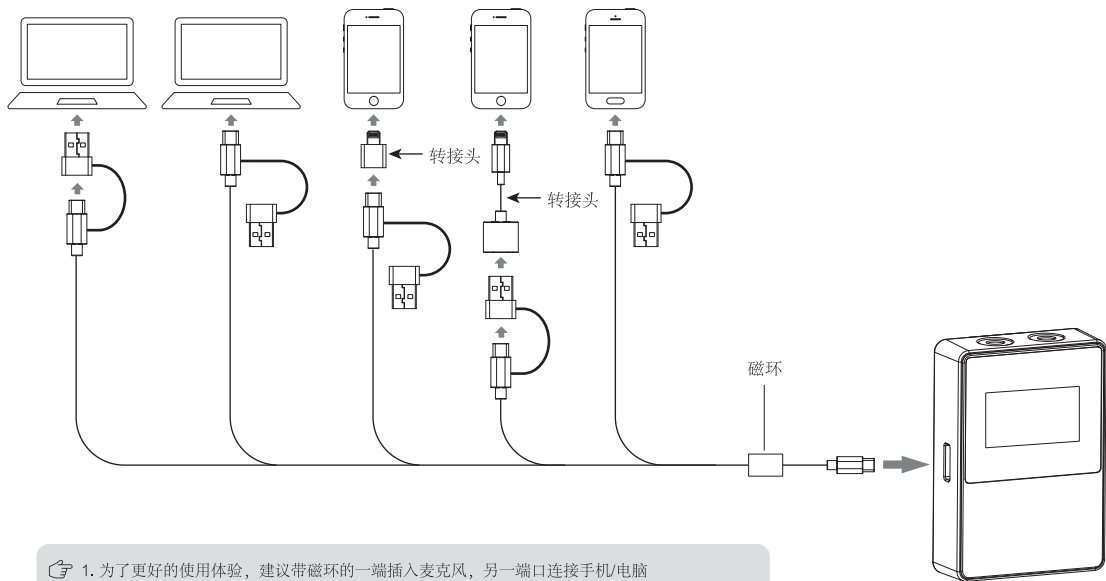
通过3.5mm音频连接线连接接收器和相机/手机/电脑，或通过3.5mmTRS-XLR音频连接线连接摄影机/录音机；根据个人需求选择是否进行监听



👉 TRRS-TRRS音频线通用于相机/手机/电脑，TRS-TRS音频线适用于部分无法兼容TRRS-TRRS音频线的相机，TRS-XLR音频线适用于录音机和摄影机，请自行购买带芯片的TRS-XLR音频线

USB数字输出

通过二合一充电&输出线和相关OTG音频转接线/转接头连接接收器和手机/电脑



1. 为了更好的使用体验，建议带磁环的一端插入麦克风，另一端连接手机/电脑

2. 搭配Lightning接口设备使用时，请自行购买支持OTG功能的USB-Lightning转接线/转接头

技术规格

无线频段	2400 ~ 2483.5MHz
发射功率	+10dBm
接收灵敏度	-86dBm
天线类型	枪麦:陶瓷天线; 接收器:PCB天线
无线延迟	<20ms
麦克风指向性	超心型
频率范围	20Hz ~ 20kHz
低切	75Hz, 150Hz
高频提升	10kHz
输出阻抗	50Ω
灵敏度范围	-38dB ~ -18dB re 1V/Pa(12mv ~ 125mv @ 94dB SPL) ±2dB @ 1kHz
信噪比	75dB SPL(A-weighted,as per IEC651)
等效噪声	19dB SPL(A-weighted,as per IEC651)
最大声压级	130dB SPL(@ 1% THD)
动态范围	111dB SPL(A-weighted,as per IEC651)
模拟输出	3.5mm TRRS, TRS
数字输出	USB-C 48kHz/24bit
电源供电	枪麦:锂聚合物 3.7V 350mAh; 接收器:锂聚合物 3.7V 330mAh
续航时间	有线模式: 连接3.5mm设备50小时; 连接XLR设备8小时 无线模式: 7小时
尺寸	枪麦:Φ22mm x L210mm; 接收器:39 x 22 x 55mm
净重	枪麦:93g; 接收器:29g
工作温度	0 C ~ 50 C
存储温度	-20 C ~ 60 C



扫二维码关注
科唛官方公众号



COMICA科唛



COMICA科唛



COMICA科唛



COMICA科唛

邮箱: support@comica-audio.com

电话: 400-8303-981

网址: comica-audio.com

版权及科唛商标归咔莱科技有限公司所有