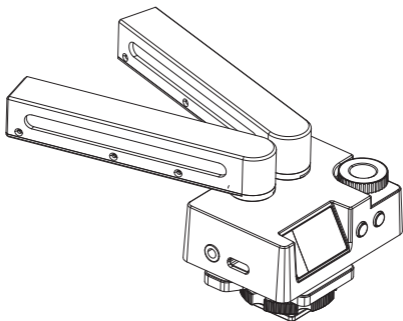


COMICA

PROFESSIONAL AUDIO EQUIPMENT



SUPPORT



For Smartphone



For Camera



For Computer

Traxshot

Transformable ALL-IN-ONE Shotgun Microphone

User Manual

Foreword

Thanks for Purchasing COMICA Traxshot All-in-One Shotgun Microphone

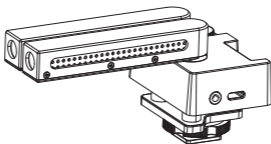
Main Features

- . Super Cardioid Transformable All-in-One Shotgun Mic
- . Multi-Modes Switching
- . Innovative and Effective Air-float Shock-absorption Design
- . IPS Screen for Intuitive Power, Audio Dynamic , Working Modes
- . Stepless Gain Control, Real-time Monitoring and LCF
- . Built-in Rechargeable Lithium Battery
- . Support USB-C Interface to Upgrade System
- . Internal Windproof Design, Effectively Reduce Basic Wind Noise
- . High-density Wind Muff, Effectively Filter the High-level Wind Noise
- . Universal for Camera and Smartphone

Notice

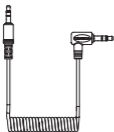
- ⚠ When using with USB mobile phone, please buy the related audio adapter cable
- ⚠ When worked with smartphones and laptops in stereo mode, the stereo is automatically merged into mono
- ⚠ In the bi-directional mode, Mic 1 should be used in the rear and Mic 2 in the front
- ⚠ For Android smartphones, Traxshot works well in audio mode, it may not be compatible with partial smartphones with system versions lower than Android 12.0 (Then we suggest you to try the 3rd party APP, such as TikTok, Filmic Pro, ect.)
- ⚠ For smart phones with iOS system, this Mic works well either in Audio or Video mode

Main Parts:



Traxshot

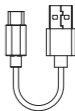
Accessories:



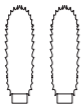
3.5mm TRS-TRS
Audio Cable



3.5mm TRS-TRRS
Audio Cable



Charging Cable



Windscreens



Portable Package



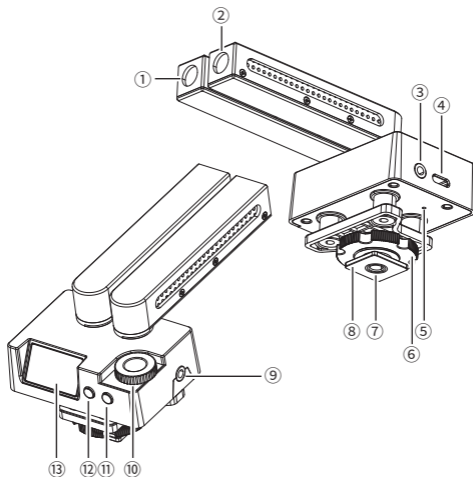
User Manual



Warranty Card

Components Introduction

1. Mic 2 Capsule
2. Mic 1 Capsule
3. 3.5mm TRS Audio Output Jack
4. USB-C Charging&Upgrading Jack
5. Reset Hole
6. Locking Screw
7. 1/4 Thread Hole
8. Cold Shoe
9. 3.5mm TRS/TRRS Earphone Monitoring Jack
10. Gain Adjustment Dial
11. Power/LCF Switch
12. Mode Switch Button
13. IPS Display



1. Power/Low Cut Switch

Long press to turn on the Traxshot, short press for LCF switch



2. Mode Switch Button

Short press to switch mode. When working in different modes, please set the Mic1 and Mic2 tube to corresponding angle



3. Gain Adjustment Dial


The gain can be adjusted by rotating the dial



4. USB-C Charging&Upgrading Jack

Plug in the USB-C cable for charging or upgrading



 The upgrade method is as follows:

- 4.1. Long press the MODE button of Traxshot to enter upgrade screen;
- 4.2. Connect the Traxshot to the computer via USB-C cable;
- 4.3. Copy the new version file of Traxshot to the corresponding disk;
- 4.4. Unplug the USB-C cable after the computer ejects the USB flash disk;
- 4.5. Turn off Traxshot and Turn on Traxshot again to use new firmware.

5. 3.5mm TRS Audio Output Jack

Insert the corresponding audio output cable to output the audio

OUT



6. 3.5mm TRS/TRRS Earphone Monitoring Jack

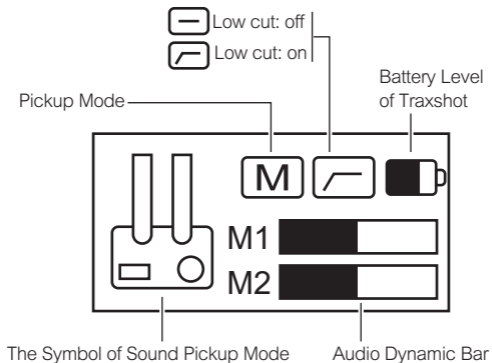
Plug in the 3.5mm TRS/TRRS headset to monitor



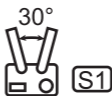
7. Reset

Traxshot can be reset by inserting a pin

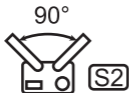
○ **RESET**



Mono Mode




30° Stereo Mode



90° Stereo Mode

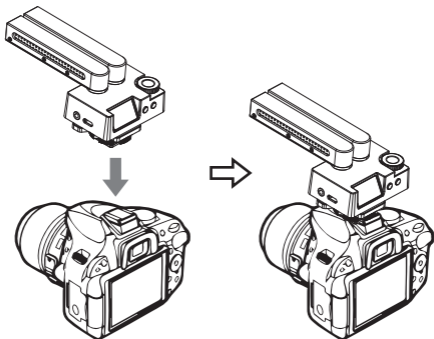


Bi-directional Mode

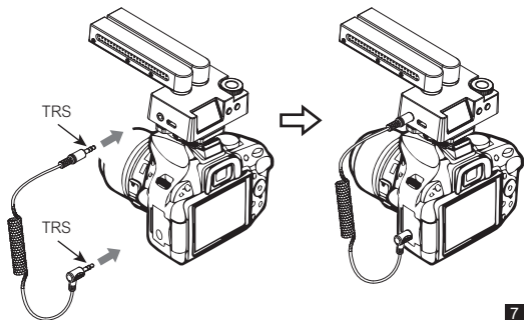
 When worked with smartphones and laptops in stereo mode, the stereo is automatically merged into mono

Work with camera:

1. Install the Traxshot on the camera hot shoe mount through the cold shoe

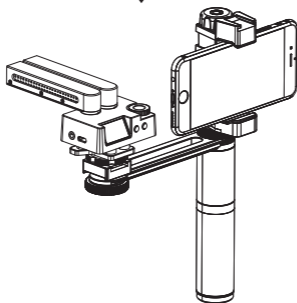
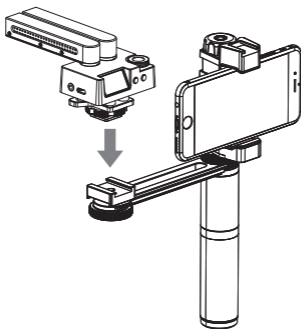


2. Connect the Traxshot to the camera through the 3.5mm TRS-TRS audio cable

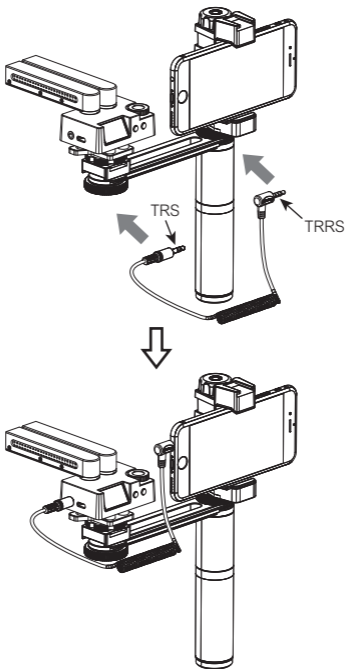


Work with mobile phone:

1. Install the Traxshot on the cold shoe mount of the mobile phone rig through the cold shoe (please buy the mobile phone rig by yourself)

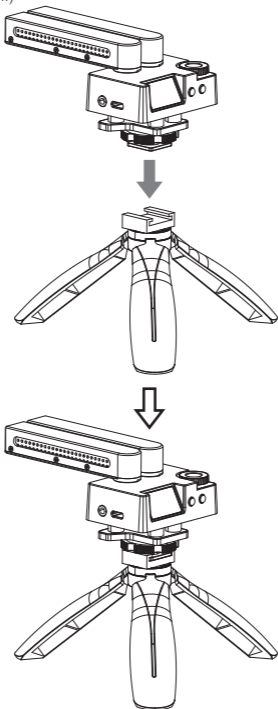


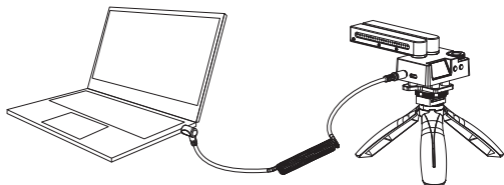
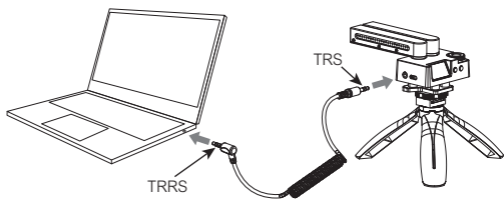
2. Connect the Traxshot to the phone through the 3.5mm TRS-TRRS audio cable



Work with computer:

Install the Traxshot on the tripod and then connect the Traxshot to the computer through the 3.5mm TRS-TRRS audio cable (please buy the tripod by yourself)





When worked with USB computers, please buy relevant audio adapter cable by yourself

Specifications

Polar Pattern	Super Cardioid
Frequency Response	20Hz ~ 20kHz
Sensitivity	-40dB ~ -20dB
Low Cut Filter	150Hz
Output Impedance	600Ω
S/N	75dB
Equivalent Noise	19dBA
Maximum SPL	110dB SPL
Dynamic Range	91dB
Analog Output	3.5mm TRS
Monitoring Port	3.5mm TRS / TRRS
Battery	Built-in Li-ion Battery 330mAh 3.7V
Standby Time	22 Hours
Net Weight	130g
Dimension	122 x 65 x 62mm
Working Temperature	0℃ ~ 50℃
Storage Temperature	-10℃ ~ 60℃



Website: comica-audio.com

Facebook: Comica Audio Tech Global

Instagram: Comica Audio

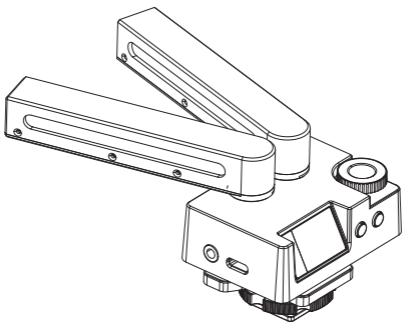
YouTube: Comica Audio

COMICA is a registered trademark owned by Commlite Tech Co.,Ltd

Email: support@comica-audio.com

COMICA

PROFESSIONAL AUDIO EQUIPMENT



支持



手机



相机



电脑

Traxshot

超心型多功能变形枪式麦克风

用户使用手册

前言

感谢您购买科唛Traxshot超心型多功能变形枪式麦克风

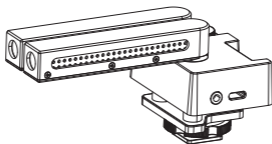
产品主要功能

- . 可变形多功能超心型枪麦结构设计
- . 多模式快速切换
- . 首创气囊高效减震设计
- . IPS显示屏，可视化电量、音频动态条及拾音模式
- . 无级增益，实时监听，一键低切
- . 内置可充电锂电池
- . 支持USB-C接口系统升级
- . 机内防风设计，有效代替防风棉降低基础风噪
- . 高密度防风毛，有效滤除高级风噪
- . 通用于手机、相机

注意事项

- ⚠ 当配合USB手机使用时请另外购买相关音频转换线
- ⚠ 在立体声模式下搭配手机和笔记本电脑使用时，立体声会自动合并成单声道
- ⚠ 在前后拾音模式下，Mic2作为前端麦克风使用，Mic1作为后端麦克风使用
- ⚠ 配合Android（安卓）系统的手机使用时，录音模式下均可正常工作，视频模式下系统版本低于Android 12.0的部分手机会出现不兼容的情况（此时建议使用第三方视频软件，如：抖音，快手等）
- ⚠ 配合iOS系统手机使用时，在所有录音模式、视频模式以及第三方视频软件下均可正常使用

主体:



Traxshot

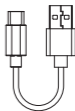
配件:



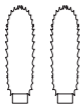
3.5mm TRS-TRS音频线



3.5mm TRS-TRRS音频线



充电线



防风毛



便携包

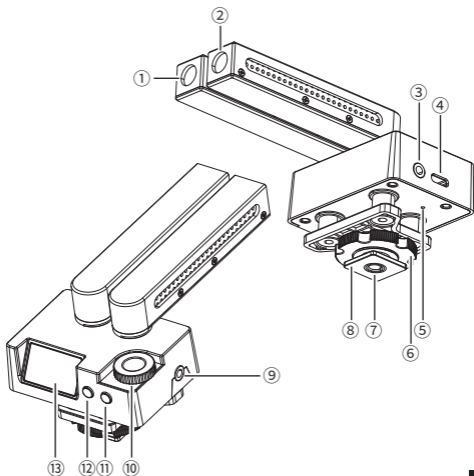


说明书



保修卡

1. 麦克风2
2. 麦克风1
3. 3.5mm TRS音频输出口
4. USB-C充电&升级口
5. 复位孔
6. 锁紧螺盘
7. 1/4螺孔
8. 冷靴
9. 3.5mm TRS&TRRS耳机监听孔
10. 增益调整旋钮
11. 电源/低切开关
12. 模式切换按钮
13. IPS显示屏



1. 电源/低切开关
长按开机，短按低切切换



2. 模式切换按钮
短按切换模式，切换不同使用模式时，请将麦克风1和麦克风2的干涉管调整至相应位置



3. 增益调整旋钮
旋转可调节增益大小



4. USB-C充电&升级口
插入USB-C数据线可以进行充电或升级



👉 升级方法如下：

4. 1. 长按Traxshot的MODE按键进入升级界面；
4. 2. 通过USB-C数据线连接Traxshot与电脑；
4. 3. 拷贝对应版本的升级文件到Traxshot对应的盘符；
4. 4. 电脑退出U盘模式后拔掉USB-C数据线；
4. 5. 关机后，再次开机即可使用新的固件。

5. 3.5mm TRS音频输出口
插入对应的音频输出线输出音频

OUT

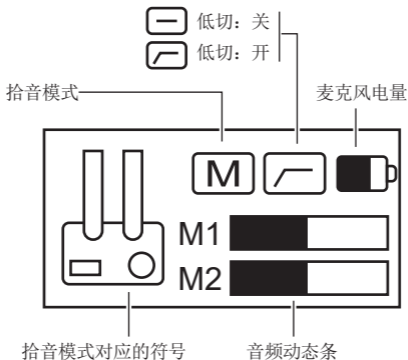


6. 3.5mm TRS/TRRS耳机监听孔
插入3.5mm TRS/TRRS耳机即可监听

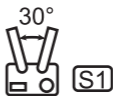


7. 复位孔
使用针状物插入即可复位Traxshot

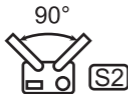
○ **RESET**



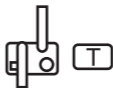
单声道模式



30度立体声模式



90度立体声模式

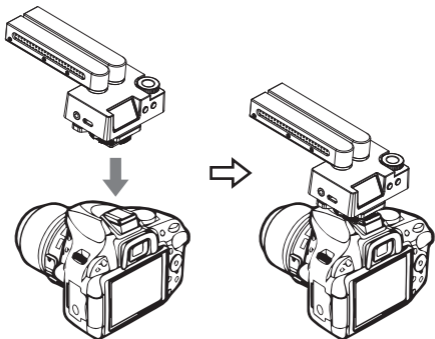


前后拾音模式

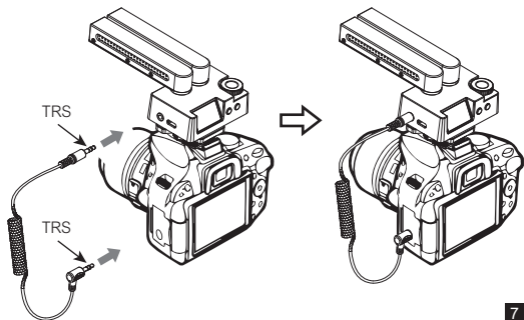
👉 在立体声模式下搭配手机和笔记本电脑使用时，立体声会自动合并成单声道

搭配相机使用安装方法：

1. 通过冷靴将Traxshot安装至相机热靴座上

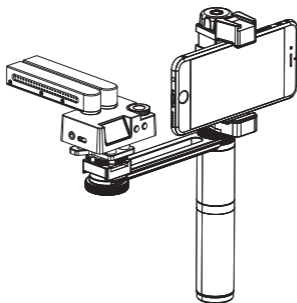
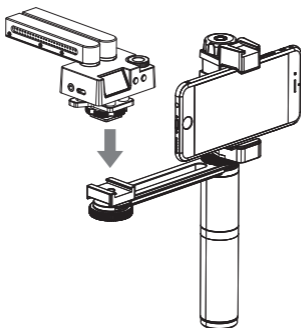


2. 通过3.5mm TRS-TRS音频线连接Traxshot与相机

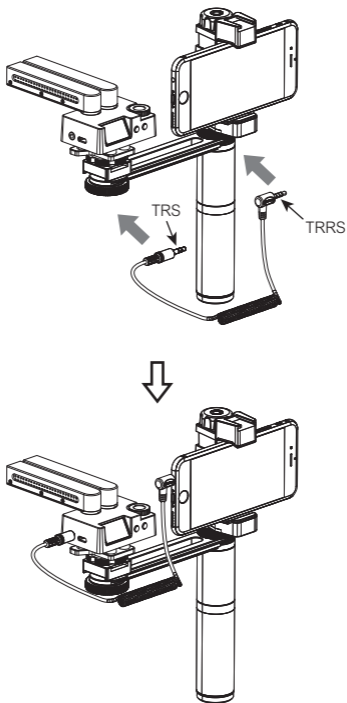


搭配手机使用安装方法：

1. 通过冷靴将Traxshot安装至手机支架冷靴座上（手机支架请用户自备）

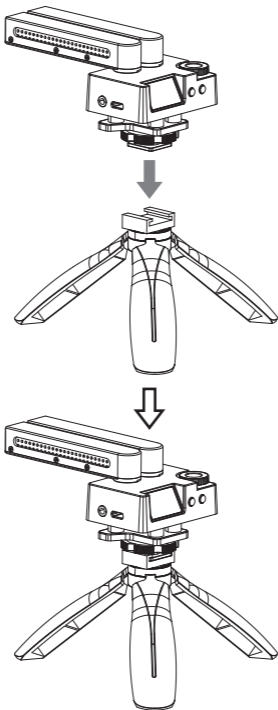


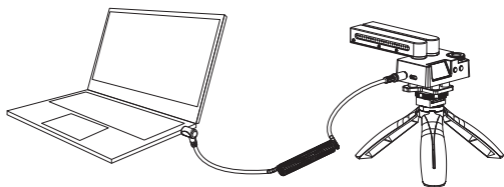
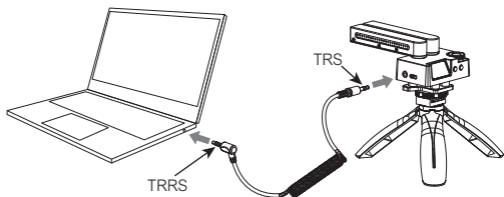
2. 通过3.5mm TRS-TRRS音频线连接Traxshot与手机



搭配电脑使用安装方法：

将Traxshot安装在三脚架上，然后通过3.5mm TRS-TRRS音频线连接Traxshot与电脑（三脚架请自行购买）





👉 当Traxshot搭配USB电脑使用时，请自行购买相关音频转接线即可

技术参数

指向性	超心型
频率响应	20Hz ~ 20kHz
灵敏度范围	-40dB ~ -20dB
低切	150Hz
输出阻抗	600Ω
信噪比	75dB
等效噪声	19dBA
最大声压级	110dB SPL
动态范围	91dB
模拟输出	3.5mm TRS
监听输出	3.5mm TRS / TRRS
电池	锂聚合物 330mAh 3.7V
续航时间	22小时
产品净重	130g
产品尺寸	122 x 65 x 62mm
工作温度	0℃ ~ 50℃
存储温度	-10℃ ~ 60℃



扫二维码关注
科唛官方公众号



COMICA科唛



COMICA科唛



COMICA科唛



COMICA科唛

邮箱: support@comica-audio.com

电话: 400-8303-981

网址: comica-audio.com

版权及科唛商标归咪莱科技有限公司所有