



# CVM-WM200 *PRO*

UHF Metal Dual-channel Wireless Microphone

User Manual



## Foreword

Thanks for purchasing Comica WM200 PRO

## Main Features

- Dual-channel Wireless Microphone, One Touch to Switch Channel
- Support Maximum Capacity of 128G Micro SD Card for External Memory
- 96 Channels for Multiple Devices Working Together
- 180° Rotatable Antenna, Working Distance Up to 120m
- Support Recording File's High-speed Transmission and Copy&Firmware Update
- Support Auto-scanning/Manual Channel-setting and Infrared Pairing
- M/S Switch, Low Cut, Mute, 16 Levels Volume Adjustment, etc.
- Support USB-C Interface /AA Battery for External Power Supply
- LCD Screen for Intuitive Operation and Usage
- Full Metal Manufacturing, Excellent Shielding

## Notice

- ⚠ Transmitter should be placed at a distance more than 10cm from Receiver. When the distance is less than 10cm, Receiver's wireless signal receiving part will take protect action to shut down the receiving wireless signal, then audio may be intermittent, which is normal
- ⚠ "Update" or "Copy" function can not be used with Recording function at the same time
- ⚠ When it needs to be used for a long time, it can be connected to the external power to realize charging while using. AC/DC power is not supported to avoid noise problem
- ⚠ When using this product in a short distance, it is recommended to set RF strength at 'LOW' to reduce the power consumption
- ⚠ For smartphone shooting, customers need to purchase a TRS-TRRS audio cable

## FCC statement

This device complies with Part 15 of the FCC rules. Operation is subject to the following two conditions: 1) this device may not cause harmful interference, and 2) this device must accept any interference received, including interference that may cause undesired operation.

Note: This equipment has been tested and found to comply with the limits for a Class B digital device, pursuant to part 15 of the FCC Rules. These limits are designed to provide reasonable protection against harmful interference in a residential installation. This equipment generates uses and can radiate radio frequency energy and, if not installed and used in accordance with the instructions, may cause harmful interference to radio communications. However, there is no guarantee that interference will not occur in particular installation. If this equipment does cause harmful interference to radio or television reception, which can be determined by turning the equipment off and on, the user is encouraged to try to correct the interference by one or more of the following measures:

- Reorient or relocate the receiving antenna.
- Increase the separation between the equipment and receiver.
- Connect the equipment into an outlet on a circuit different from that to which the receiver is connected.
- Consult the dealer or an experienced radio/TV technician for help.

Changes or modifications not expressly approved by the party responsible for compliance could void the user's authority to operate the equipment.

### FCC Radiation Exposure Statement

This device complies with FCC RF radiation exposure limits set forth for an uncontrolled environment. This transmitter must not be co-located or operating in conjunction with any other antenna or transmitter.

## Packing List

Main Part:



Lavalier Transmitter (TX)



Receiver (RX)

Multiple Selections:

WM200 PRO (A) = 2TX + RX



TX

+



TX

+



RX

WM200 PRO (C) = TX + RX



TX

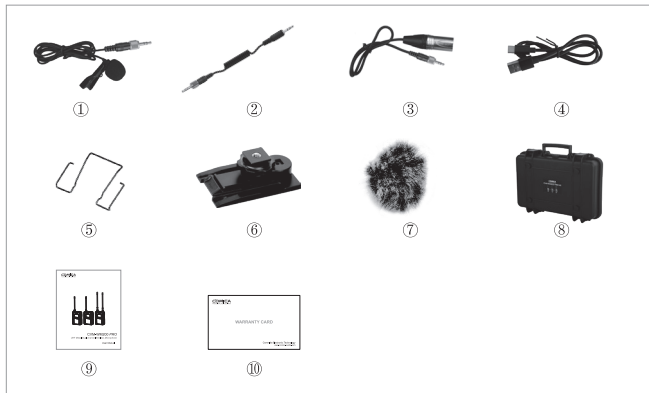
+



RX

## Accessories:

- ① 3.5mm Mic Audio Input Cable
- ② 3.5mm TRS-TRS Audio Cable
- ③ 3.5mm TRS-XLR Audio Cable
- ④ USB-C Charging Cable
- ⑤ Belt Clip
- ⑥ Cold Shoe Mount
- ⑦ Wind Muff
- ⑧ Portable Box
- ⑨ User Manual
- ⑩ Warranty Card



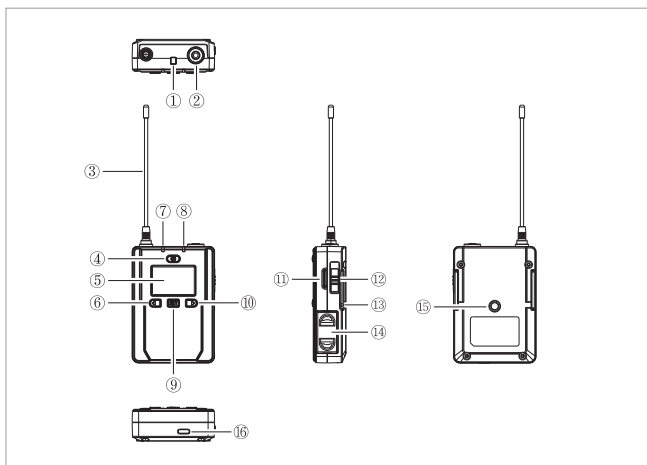
The accessories of each combination include:

WM200 PRO (A) = ①x2 + ② + ③ + ④ + ⑤x3 + ⑥ + ⑦x2 + ⑧ + ⑨ + ⑩

WM200 PRO (C) = ① + ② + ③ + ④ + ⑤x2 + ⑥ + ⑦ + ⑧ + ⑨ + ⑩

# Components and Instruction

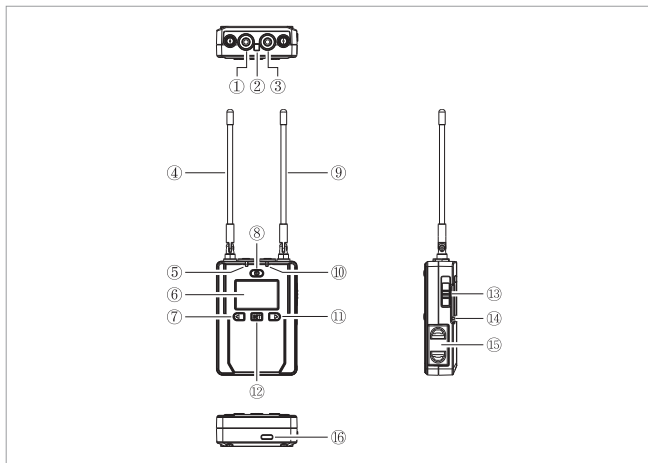
## Lavalier Transmitter (TX):





- ① IR Sensor
- ② Mic/Line in Audio Input Port:  
Mic mode is for microphone input; Line in mode is for external audio input, such as smartphone music player; Selecting the corresponding input mode will bring you better audio effect
- ③ Antenna
- ④ Power/Muting Button:  
Long press for ON/OFF; Short press for mute
- ⑤ LCD Screen
- ⑥ Function Selection Button-:  
Short press to return to the previous page
- ⑦ Pairing Status Indicator:  
Red light flickers when in IR sync; Blue light keeps on after paired(No matter the channel paired or not)
- ⑧ Audio Status Indicator:  
Blue light keeps on when in normal recording; Red light keeps on when in muting mode; Red light flickers when in low power
- ⑨ SET Function Menu/Recording Button:  
Long press to enter the function adjustment menu; Short press to confirm; Long press to record on the home page when the screen lights up
- ⑩ Function Selection Button +:  
Short press to enter the next page
- ⑪ Micro SD Card Port
- ⑫ Group Switch Button
- ⑬ Belt Clip Port
- ⑭ Battery Tray
- ⑮ 1/4 Threaded Hole
- ⑯ USB-C Port

Receiver (RX) :



① 3.5mm Audio Output Port

② IR Sensor

③ 3.5mm Monitoring Port

④ Group A Antenna

⑤ Group A Working Status Indicator:

Blue light keeps on after successfully paired; Blue light flickers when pairing fails;

Red light flickers when in IR sync/low power; Red light keeps on when the group is closed

⑥ LCD Screen

⑦ Function Selection Button-:

Short press to return to the previous page

⑧ Power Button:

Long press for ON/OFF

⑨ Group B Antenna

⑩ Group B Working Status Indicator

⑪ Function Selection Button +:

Short press to enter the next page

⑫ SET Function Menu Button:

Long press to enter the function adjustment menu; Short press to confirm

⑬ Group Switch Button

⑭ Belt Clip Port

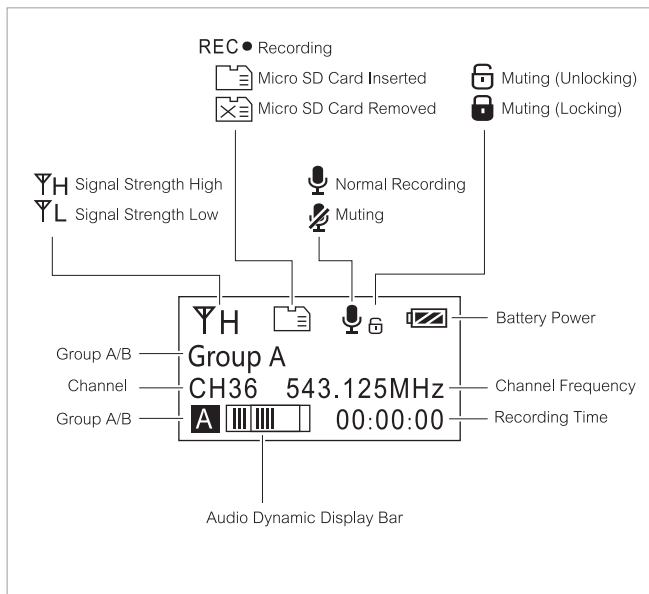
⑮ Battery Tray

⑯ USB-C Port

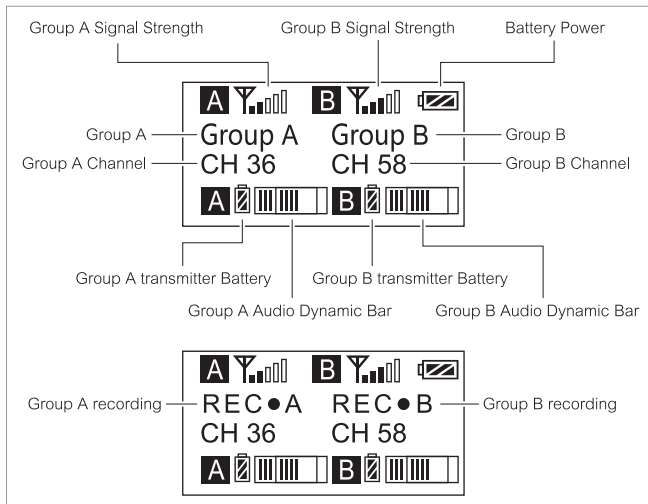
# Screen Display and Menu Introduction

## Screen Display Instruction

Lavalier Transmitter(TX) :



Receiver (RX) :



## Menu Introduction

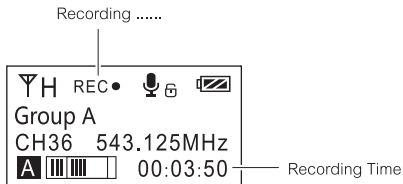
### 1. Recording Function

At the home page and the screen lights up for long pressing **SET** button to record,

The **REC ●** of the screen flashes is recording;

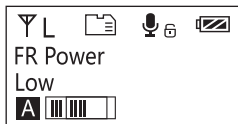
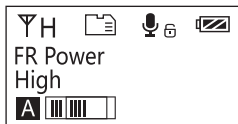
At the home page and screen lights up for long pressing **SET** button to stop recording;

audio is stored in the Micro SD card (Please purchase Micro SD card by yourself)



☞ "Update" or "Copy" function can not be used with Recording function at the same time

### 2. Transmitting Signal Strength Adjustment



☞ With high signal strength, the wireless working distance is up to 80-120M, high power consumption, standby time is short;  
With low signal strength, the wireless working distance is up to 30-60M, low power consumption, standby time is long

### 3. Muting Mode On/Off

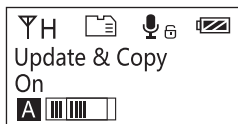


☞ When set to ' Disable ', the muting function cannot be used, the icon is: 🔒

When set to ' Enable ', the muting function works, the icon is: 🔓

The muting mode can be controlled only when the screen is on, press any button to light the screen and then press the Power/Muting Button to switch the muting mode

### 4. Update & Copy



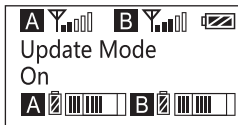
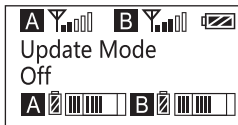
- ☞
1. The recording function can only be used when the "update & copy" mode is off, there are not a disk on the computer
  2. When the "update & copy" mode is on, two disks appear after WM200 PRO is connected with the computer, you can update firmware and copy audio file
  3. Two disks appear after the WM200 PRO is connected to the computer, and the recorded audio files can be copied from the disk of the Micro SD card; Please copy the upgrade file to WM200\_ PRO disk, and then restart the WM200 PRO to upgrade

#### 4 Devices and drives (2)



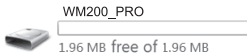
The name and memory of the Micro SD card disk are determined by the Micro SD card you purchased

## 5. Update Mode



1. When the update mode is off, there are not a disk on the computer
2. When the update mode is on, a WM200\_PRO disk appears after WM200 PRO is connected with the computer, put the upgrade file to the disk and then restart the WM200 PRO to upgrade

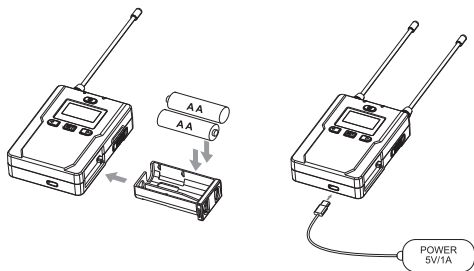
### ◀ Devices and drives (1)





## Installation and Usage

1. Install two AA batteries into the battery tray according to the positive and negative electrode. It supports external power supplying through USB-C Plug



👉 When it needs to be used for a long time, it can be connected to the external power to realize charging while using. AC/DC power is not supported to avoid noise problem

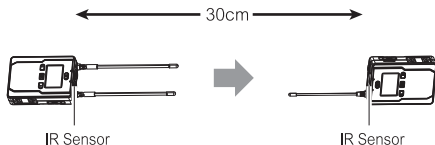
2. Long press the power button for ON, pair the transmitter and receiver

### A. Manual Channel-setting Pairing

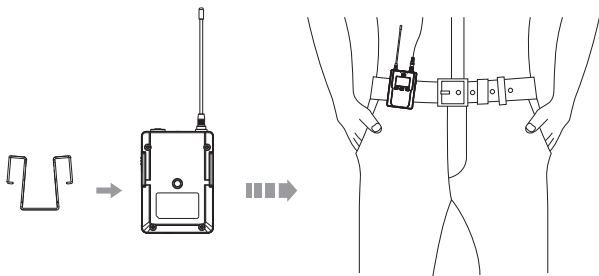
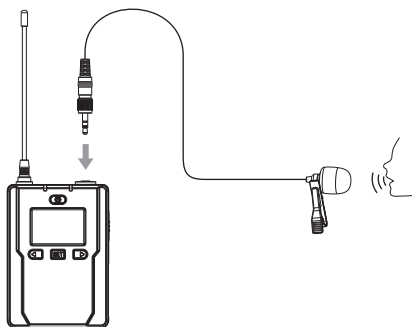
Long press the receiver's SET button to enter "CH" display page and select the desired channel according to personal needs; Select "Sync" and then keep the IR sensor of the transmitter and receiver closely aligned to pair

### B. Auto-scanning Pairing

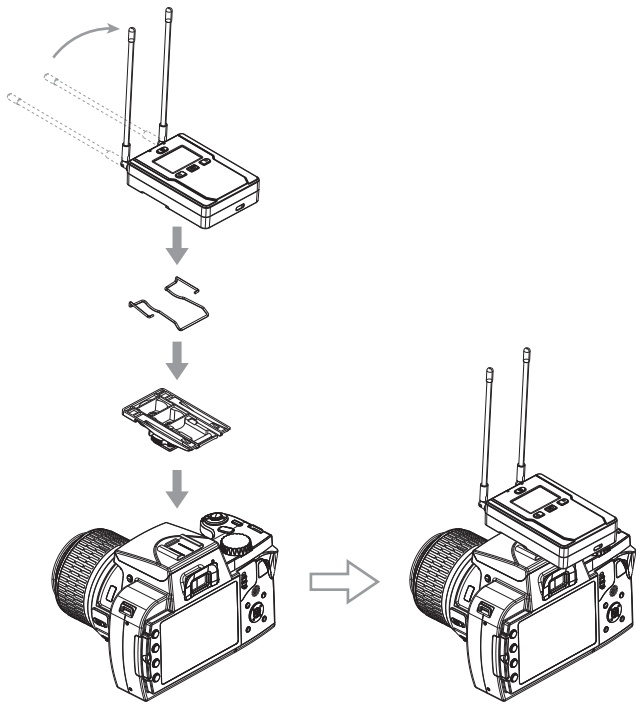
Select receiver's "Auto scan" to get the optimal channel in the current environment; Select "Sync" and then keep the IR sensor of the transmitter and receiver closely aligned to pair

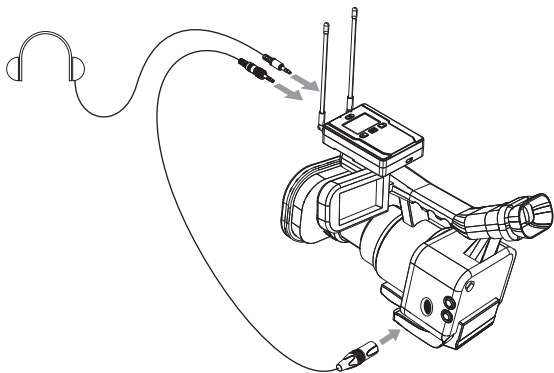
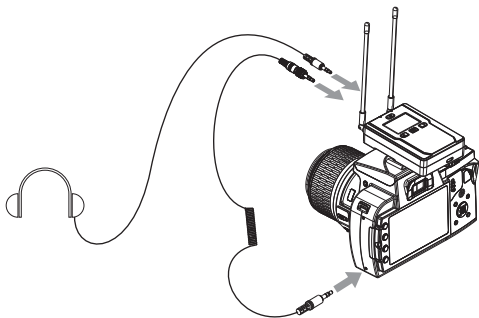


3. Insert the 3.5mm TRS microphone into the MIC port, install the belt clip to the belt clip port and wear it correctly



4. Connect the receiver and devices through the cold shoe mount and 3.5mm TRS-TRS audio cable / 3.5mm TRS-XLR audio cable; Adjust the antenna angle of the receiver according to your needs (90° is the best angle for signal transmission); Insert the headphone into the 3.5mm monitoring port to monitor





## Specifications

### Lavalier Transmitter (TX)

Group A Wireless Frequency	534.125MHz ~ 557.875MHz
Group B Wireless Frequency	566.125MHz ~ 589.875MHz
Channels	96 x 2
Transmitting Power	10dBm / 15dBm
Antenna	1/4 Wavelength Wire Antenna
Polar Pattern	Omnidirectional Pattern
Frequency Response	20Hz ~ 20kHz
S/N	70dB
Equivalent Noise	24dBA
Maximum SPL	100dB
Dynamic Range	76dB
Low Cut	80Hz / 160Hz
Latency	<20ms
Audio Distortion	<0.5%
Consumption	High Transmitting Power: 660mW Low Transmitting Power: 430mW
Battery	AA Battery×2
Dimension	84 x 63.5 x 23mm
Net Weight	125g
Working Temperature	0 C ~ 50 C
Storage Temperature	-20 C ~ 60 C

## Receiver (RX)

Group A Wireless Frequency	534.125MHz ~ 557.875MHz
Group B Wireless Frequency	566.125MHz ~ 589.875MHz
Channels	96 x 2
Sensitivity	<-95dBm
Antenna	1/4 Wavelength Wire Antenna
S/N	70dB
Equivalent Noise	24dBA
Latency	<20ms
Audio Distortion	<0.5%
Consumption	Dual Channel: 660mW Single Channel: 430mW
Battery	AA Battery×2
Dimension	84 x 63.5 x 23mm
Net Weight	145g
Working Temperature	0 C ~ 50 C
Storage Temperature	-20 C ~ 60 C



Website: [comica-audio.com](http://comica-audio.com)

Facebook: Comica Audio Tech Global

Instagram: Comica Audio

YouTube: Comica Audio







# CVM-WM200 *PRO*

UHF全金属双通道无线麦克风

产品使用说明书

# 前言

感谢您购买科凌WM200 PRO

## 产品主要功能

- UHF双通道无线麦克风，一键切换通道
- 支持最大容量128G Micro SD卡存储，即录即存
- 96频，可多机位多设备同时使用
- 180°可旋转天线，传输距离高达120m
- 支持固件升级及录音文件高速传输
- 支持自动扫描/手动调频及红外配对
- M/S切换、低切、16级音量、静音等多功能
- 支持USB-C接口外部电源供电，可更换AA电池
- LCD显示屏，可视化操作及使用
- 全金属制造，超强屏蔽性能

## 注意事项

- △ 正常使用时发射器应距离接收器10cm以上，当小于10cm时，接收器的无线信号接收部分将会进行保护动作，从而关闭无线信号接收，音频可能出现间断，此为正常现象
- △ “升级”或“拷贝”功能与“录音”功能不可同时使用
- △ 当需要长时间使用时，可连接外部移动电源实现边充边用；不支持AC/DC电源供电，否则会产生噪音
- △ 近距离使用该产品时，建议将此产品RF强度设置为“LOW”，可降低功耗增加续航时间
- △ 用于手机拍摄时，请您自行购买3.5mm TRS-TRRS音频连接线

## 包装清单

主体:



领夹发射器 (TX)



接收器 (RX)

搭配选择:

WM200 PRO (A) = 2TX + RX



TX

+



TX

+



RX

WM200 PRO (C) = TX + RX



TX

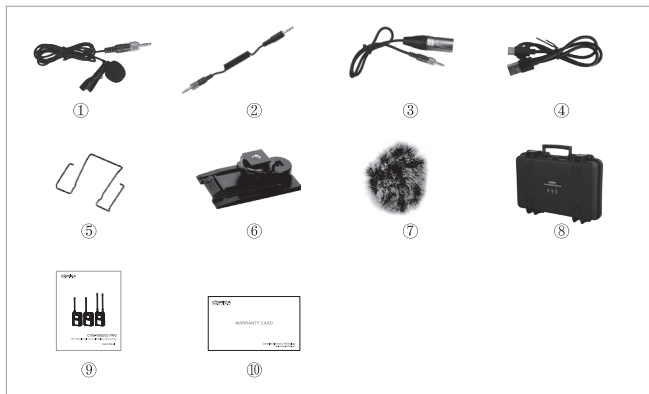
+



RX

## 配件:

- ① 3.5mm TRS麦克风输入线
- ② 3.5mm TRS-TRS音频连接线
- ③ 3.5mm TRS-XLR音频连接线
- ④ USB-C充电线
- ⑤ 腰带夹
- ⑥ 冷靴快装板
- ⑦ 防风毛
- ⑧ 便携箱
- ⑨ 说明书
- ⑩ 保修卡



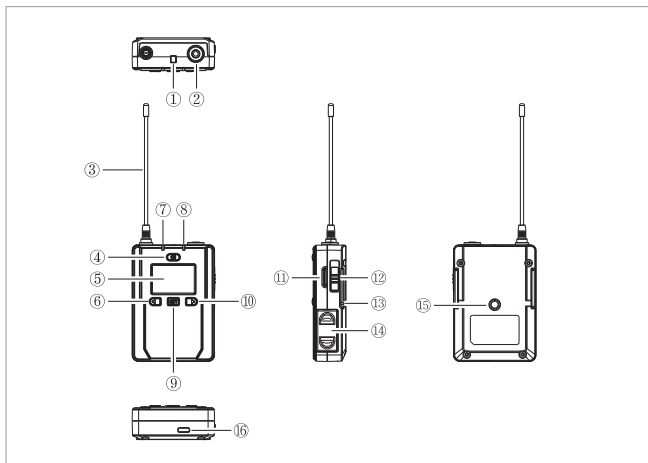
每个搭配选择包含配件如下:

WM200 PRO (A) = ①x2 + ② + ③ + ④ + ⑤x3 + ⑥ + ⑦x2 + ⑧ + ⑨ + ⑩

WM200 PRO (C) = ① + ② + ③ + ④ + ⑤x2 + ⑥ + ⑦ + ⑧ + ⑨ + ⑩

## 部件介绍及说明

领夹发射器：



① 红外窗口

② Mic/Line in音频输入插口：

Mic模式下麦克风音源输入；Line in模式下外部音源输入，比如手机音乐播放等；  
选择对应的输入模式会有更好的音频效果

③ 天线

④ 开关/静音按键：

长按开机/关机；短按切换静音

⑤ LCD显示屏

⑥ 功能调节按键-：

短按返回上一级

⑦ 对码状态指示灯：

红外对码时红灯闪烁；配对后蓝灯长亮（无论是否配对成功）

⑧ 音频状态指示灯：

正常拾音时蓝灯长亮；静音时红灯长亮；低电量时红灯闪烁

⑨ SET功能菜单选项/录音按键：

长按进入功能菜单调节；短按确定；在首页且屏幕亮显时长按开启/关闭录音

⑩ 功能调节按键+：

短按进入下一级

⑪ Micro SD卡插口

⑫ 通道选择开关

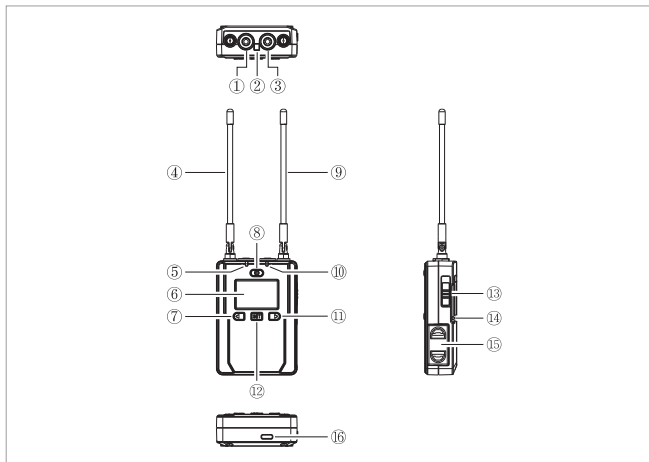
⑬ 腰带夹插孔

⑭ 电池仓

⑮ 1/4螺纹口

⑯ USB-C供电插口

接收器：



① 3.5mm 音频输出口

② 红外窗口

③ 3.5mm 监听口

④ A通道天线

⑤ A通道工作状态指示灯：

配对成功后，蓝灯长亮；配对不成功，蓝灯闪烁；红外对码/低电量时，红灯闪烁；  
通道关闭时，红灯长亮

⑥ LCD显示屏

⑦ 功能调节按键-：

短按返回上一级

⑧ 开/关按键：

长按开机/关机

⑨ B通道天线

⑩ B通道工作状态指示灯

⑪ 功能调节按键+：

短按进入下一级

⑫ SET功能菜单选项按键：

长按进入功能菜单调节；短按确定

⑬ 通道选择开关

⑭ 腰带夹插孔

⑮ 电池仓

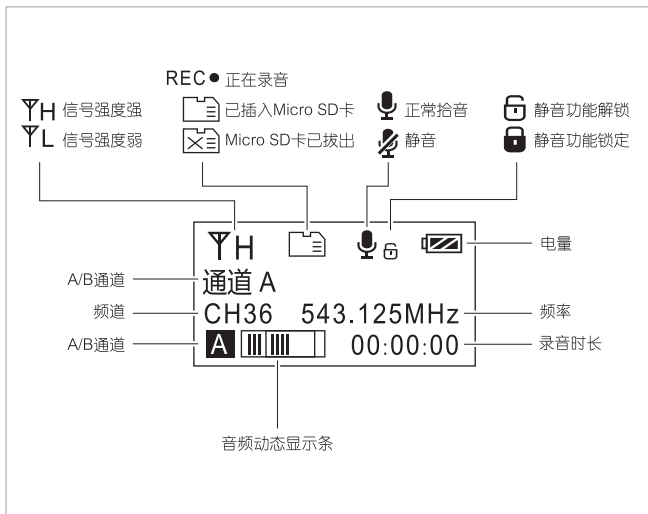
⑯ USB-C供电插口



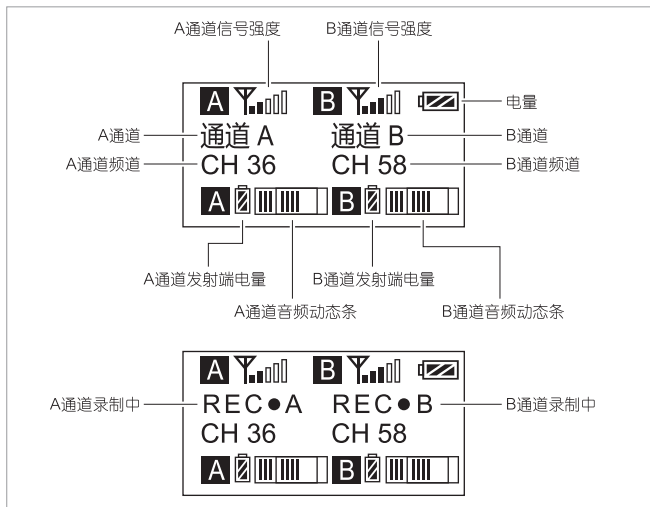
# 屏幕显示与菜单介绍

## 屏幕显示

领夹发射器:



接收器:

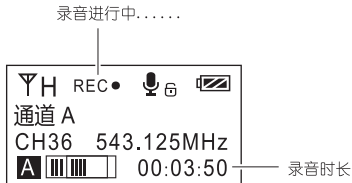


## 菜单介绍

### 1. 录音功能

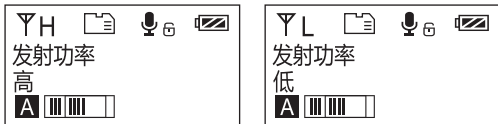
在首页且屏幕亮显时长按 **SET** 按键进行录音，显示屏的 **REC ●** 图标闪烁即是正在录音；

在首页且屏幕亮显时长按 **SET** 按键停止录音；音频数据存储在本机Micro SD卡中  
(请自行购买Micro SD卡)



👉 “升级”或“拷贝”与“录音”功能不可同时使用

### 2. 发射功率调节



👉 功率强度高时，无线工作距离较远，功耗较高，续航时间短；

功率强度低时，无线工作距离较近，功耗较低，续航时间长

### 3. 静音锁定



👉 设置为“锁定”后静音功能不能使用，图标显示：

设置为“解锁”后静音功能开启，图标显示：

静音必须在屏幕亮显时才可操控，按下任何按键使屏幕亮显，再短按开机/静音按键切换静音模式

### 4. 升级与拷贝



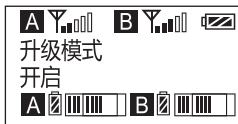
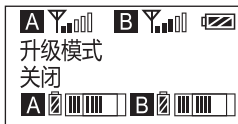
- 👉
- “升级与拷贝”功能关闭时，录音功能才可使用，机器连接电脑后不出现盘符
  - “升级与拷贝”功能开启时，机器连接电脑后出现两个盘符，才可以进行硬件升级与音频文件拷贝
  - 机器连接电脑后出现两个盘符，录制的音频文件可从Micro SD卡的盘符中拷出；升级文件请拷入至WM200\_PRO盘符，然后重新启动机器即可升级

#### 🔸 有可移动存储的设备 (2)



Micro SD卡盘符的名称和内存由您所购买的Micro SD卡决定

## 5. 升级模式



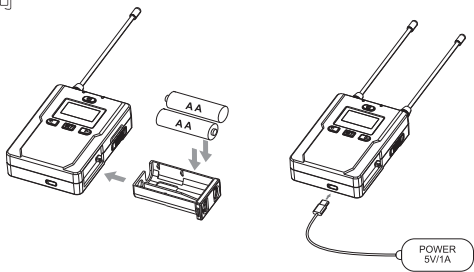
- ☞ 1. “升级模式”功能关闭时，机器连接电脑后不出现盘符
2. “升级模式”功能开启时，机器连接电脑后出现WM200\_PRO盘符，升级文件请放至该盘符，然后重新启动机器即可升级

### 4 有可移动存储的设备 (1)



## 安装与使用方法

1. 将电池按照正负极指示装入电池仓，可使用外部电源供电，通过USB-C充电线将电源与设备连接即可



☞ 当需要长时间使用时，可连接外部移动电源实现边充边用；不支持AC/DC电源供电，否则会产生噪音

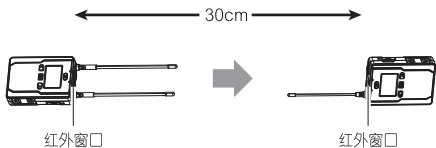
2. 长按电源按键开机，根据个人需求将TX和RX进行手动/自动配对

### A. 手动调频配对

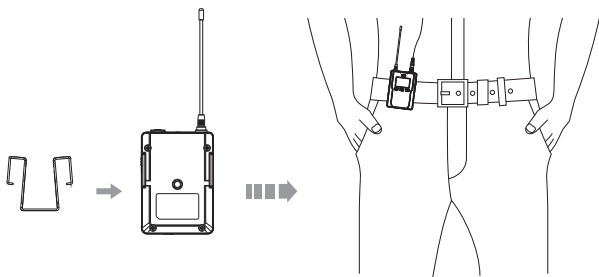
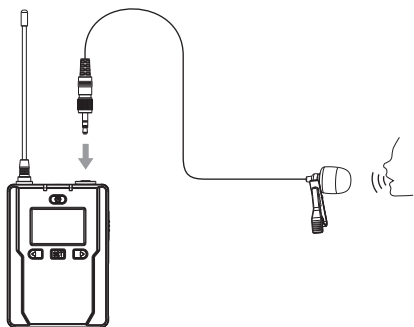
长按接收器的SET键进入通道CH调节状态，根据个人需求调节到相应频道；选择“同步发射器”后，将接收器对准发射器的红外窗口进行配对

### B. 自动扫描配对

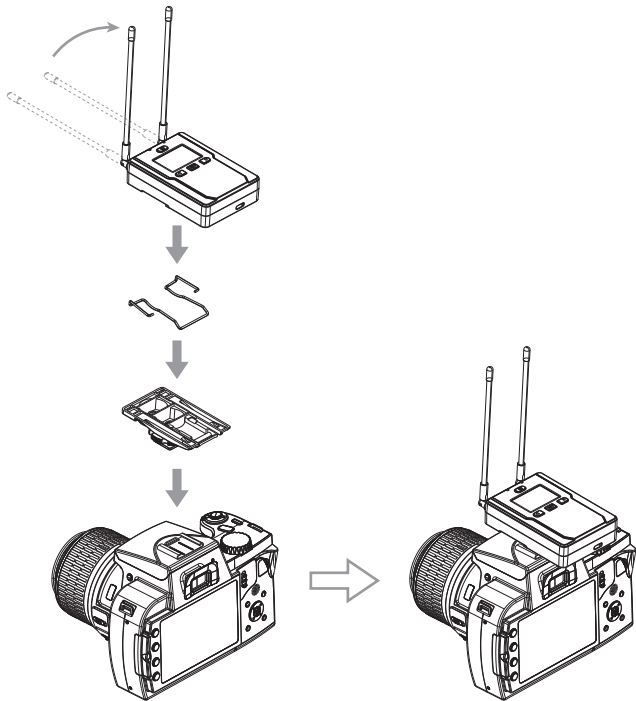
在接收器上选择“自动扫描”，自动选择当下环境最优频道；选择“同步发射器”，将接收器对准发射器的红外窗口进行配对



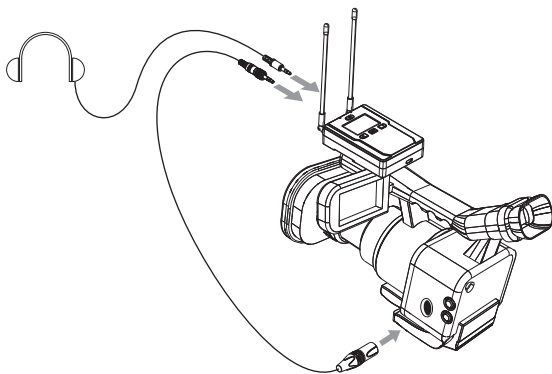
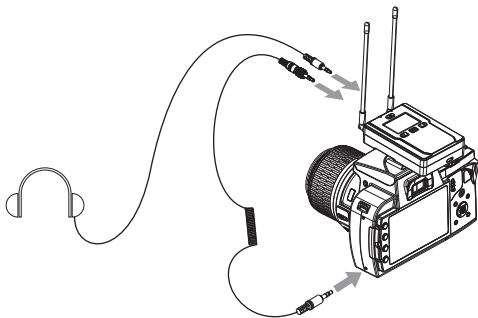
3. 把3.5mm TRS麦克风输入线插入MIC插口，把腰带夹安装到腰带夹插口正确佩戴即可



4. 通过冷靴快装板和3.5mm TRS-TRS音频连接线/3.5mm TRS-XLR音频连接线连接接收器与摄影摄像设备；根据个人需求，调节接收器的天线角度（90°为信号传输最佳角度）；把耳机插入3.5mm耳机监听口进行实时监听







## 领夹发射器 TX

Group A 载波频率	534.125MHz ~ 557.875MHz
Group B 载波频率	566.125MHz ~ 589.875MHz
频道数	96 x 2
发射功率	10dBm / 15dBm
天线	1/4波长导线天线
麦克风指向性	全指向
麦克风频率响应	20Hz ~ 20kHz
系统信噪比	70dB
系统等效噪声	24dBA
声压级	100dB
动态范围	76dB
低切	80Hz / 160Hz
声音延迟	<20ms
音频失真	<0.5%
功耗	高发射功率: 660mW 低发射功率: 430mW
电池	两节AA电池
尺寸	84 x 63.5 x 23mm
净重	125g
工作温度	0 C ~ 50 C
存储温度	-20 C ~ 60 C

## 接收器 RX

Group A 载波频率	534.125MHz ~ 557.875MHz
Group B 载波频率	566.125MHz ~ 589.875MHz
频道数	96 x 2
接收灵敏度	<-95dBm
天线	1/4波长导线天线
系统信噪比	70dB
系统等效噪声	24dBA
声音延迟	<20ms
音频失真	<0.5%
功耗	双通道: 660mW 单通道: 430mW
电池	两节AA电池
尺寸	84 x 63.5 x 23mm
净重	145g
工作温度	0 C ~ 50 C
存储温度	-20 C ~ 60 C



扫二维码关注  
科唛官方公众号



COMICA科唛



COMICA科唛



COMICA科唛



COMICA科唛

邮箱：[support@comica-audio.com](mailto:support@comica-audio.com)

电话：400-8303-981

网址：[comica-audio.com](http://comica-audio.com)

版权及科唛商标归味莱科技有限公司所有