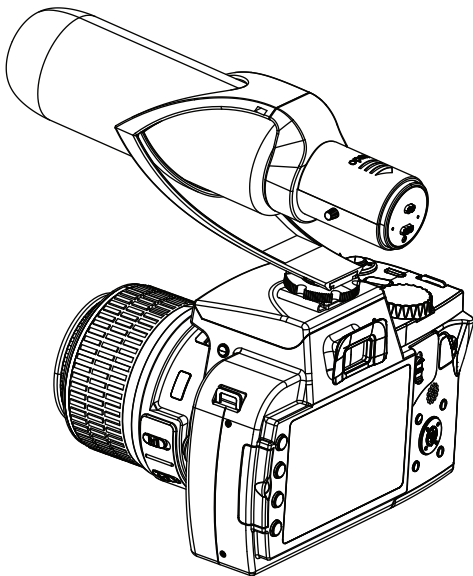


V30 PRO

Directional Condenser Shotgun Video Microphone



User Manual







Foreword

Thanks for purchasing COMICA V30 PRO Cardioid Directional Microphone

Main Features

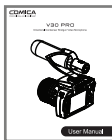
- . Super Cardioid Polar Pattern
- . Low-cut Filter
- . 10dB Adjustable Sensitivity
- . Low Self-noise
- . Super Anti-interference
- . Special Design for Excellent Shock-absorbing
- . Packed with Wind-Screen and Wind-Muff
- . Cold-shoe Design with 1/4 Thread at Bottom

Notice

-  Please carefully read this user manual before using
-  The LED Indicator light will keep on with green color to help you check if the item or power normally work
-  The product is belong to the super accurate instrument, please pay attention to avoid any dropping, collision or thump
-  Please do not put the device beside the heat or interference source, like radiator, Roaster or air-condition etc
-  Please keep this product in the dry environment
-  Do not expose this device in rain or moist environment

Package Contents

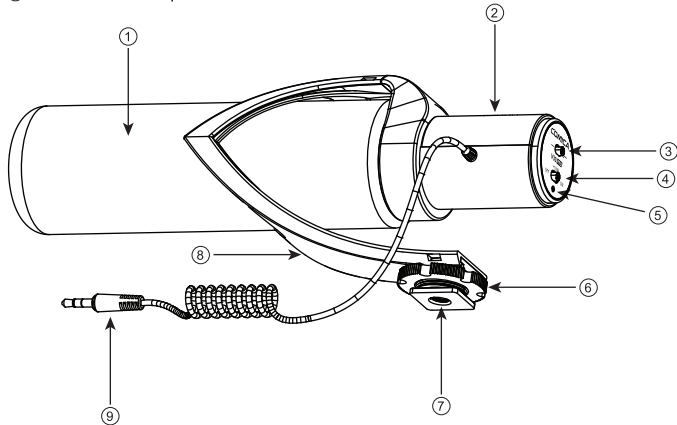
- ① Mic Body (Including Windscreen)
- ② Wind Muff
- ③ User Manual
- ④ Warranty Card



Components and Instruction

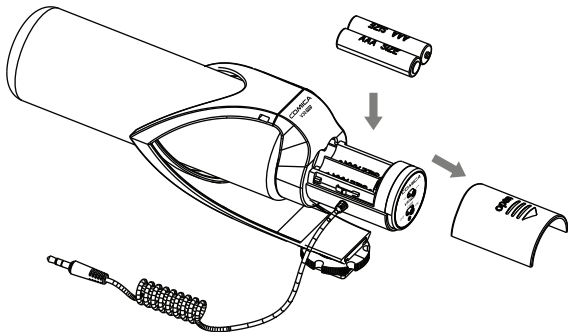
Mic Body

- ① Mic Body and Windscreen
- ② AAA Battery Holder
- ③ Low-cut Filter Button
- ④ Power/Sensitivity Button
- ⑤ Working Indication
- ⑥ Fixing Screw
- ⑦ 1/4 Cold-shoe Mount
- ⑧ Shock Mount
- ⑨ 3.5mm Audio Output Cable

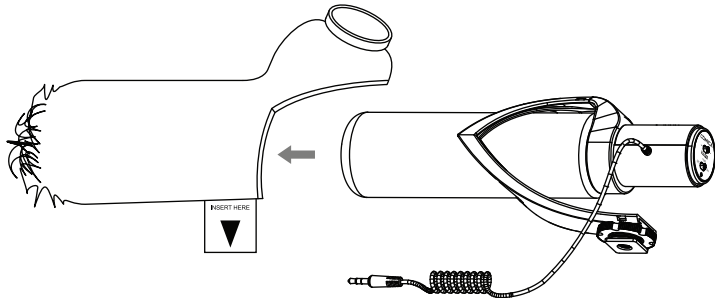


Installation and Usage

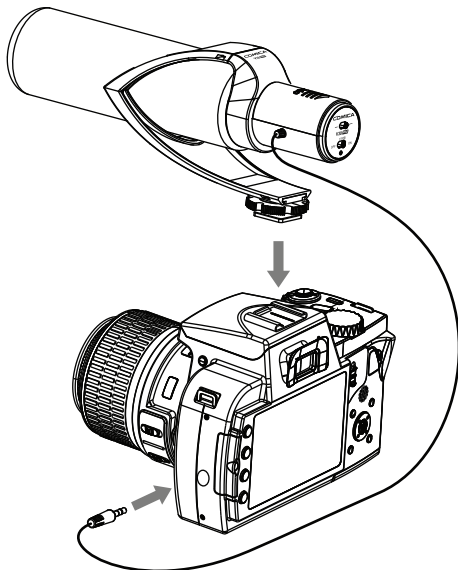
1. Put batteries into microphone



2. Install the windmuff to microphone (It's recommended to use windmuff in outdoor or windy environment.)



3. Connect the mic to the camera via cold-shoe, tighten the fixing screw, then connect the 3.5mm audio cable to the camera audio jack

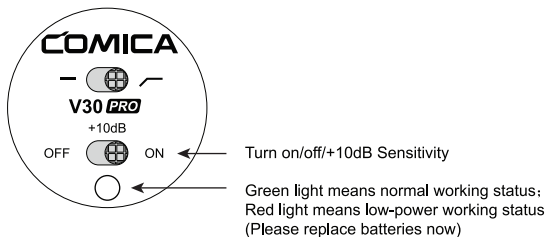


4. On/Off/+10dB/Indicator Status

Slide right to 'On': turn on the mic and start the recording;

Slide right to '+10dB': mic sensitivity is increased by 10dB, the recorded audio will be increased accordingly;

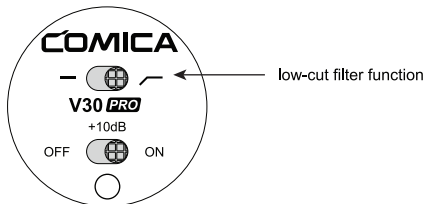
Slide left to 'Off': turn off the mic and stop the recording



5. Choose to turn on/off the low-cut filter function to meet your needs

Slide right to '⌋': turn on low-cut filter function;

Slide left to '—': turn off low-cut filter function

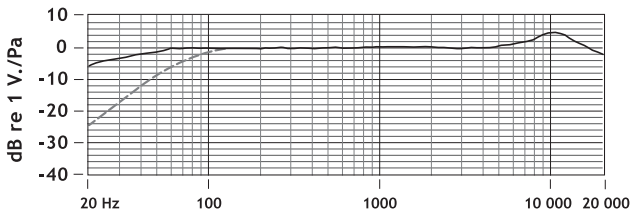


Specification

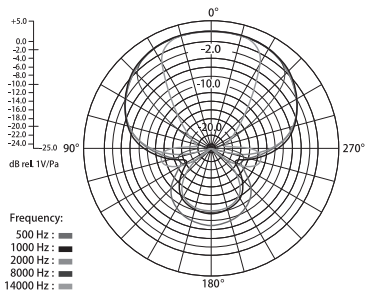
Specification:

Polar Pattern	Super Cardioid
Frequency Range	20Hz ~ 20kHz
Sensitivity	-33dB±2dB / -23dB±2dB
Output Impedance	200Ω
S/N	75dB
Equivalent Noise	19dBA
Maximum SPL	120dB
Dynamic Range	101dB
Output Type	3.5mm TRS Plug
Battery	AAA 1.5V x 2
Power Consumption	8mW
Net Weight	114g
Dimension	210 x 62 x 80mm
Operating Temperature	0 ~ 50℃
Storage Temperature	-20℃ ~ 60℃

Frequency Response:



Polar Pattern :





Website: comica-audio.com

Facebook: Comica Audio Tech Global

Instagram: Comica Audio

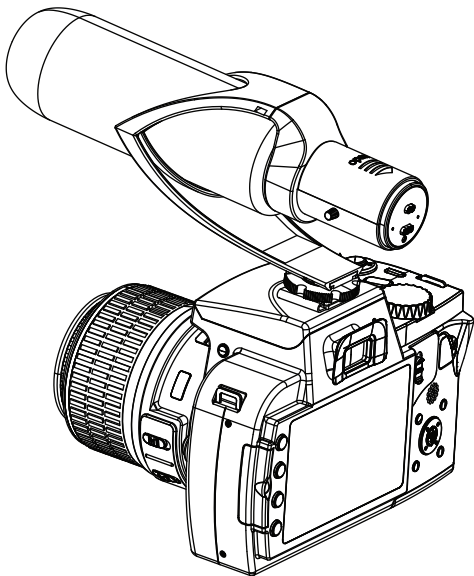
YouTube: Comica Audio

The COMICA LOGO is a trademark which is registered and owned by Commlite Technology Co.,Ltd

Email: support@comica-audio.com

V30 PRO

超心型指向电容式麦克风



用户使用手册







前 言

感谢您选购科唛 COMICA V30 PRO 超心型指向电容式麦克风

产品主要功能

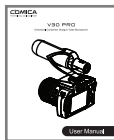
- . 超心型指向
- . 10dB灵敏度可调
- . 低切功能
- . 超低底噪
- . 独创超强减震结构
- . 配备防风棉和防风毛
- . 冷靴底部1/4螺孔设计

注意事项

-  使用之前请认真阅读本使用说明
-  工作状态下，该指示灯将一直保持绿灯常亮状态，协助您随时监督产品或电量异常
-  本产品属于精密仪器类产品，请避免使用时掉落，碰撞或重击
-  请勿将本设备放置在热源或干扰源附近使用，如散热器、烤箱、空调或冰箱旁边
-  请在干燥环境中对该产品进行保存
-  不要在雨中或者潮湿的环境中使用该设备，否则会有短路的危险

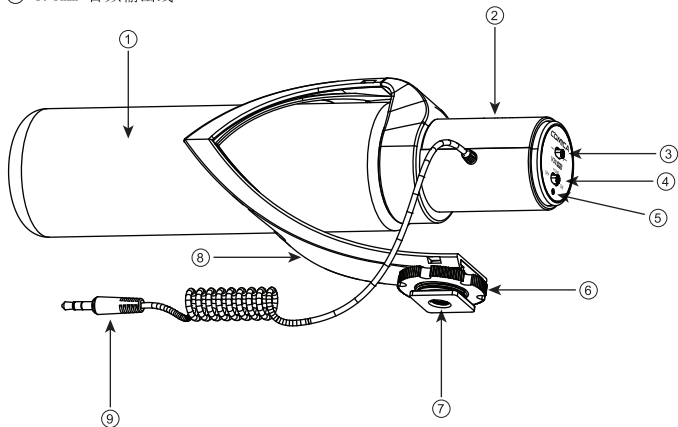
包装清单

- ① 麦克风主体（含防风棉）
- ② 防风毛
- ③ 说明书
- ④ 保修卡

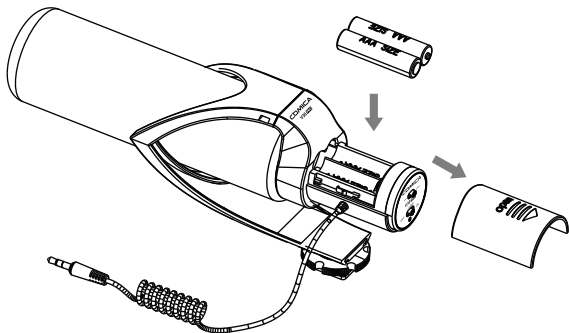


麦克风主体

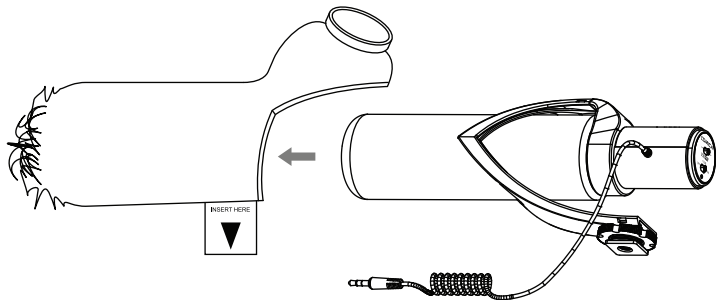
- ① 麦克风话筒及防风棉
- ② AAA电池仓
- ③ 低切功能按键
- ④ 开关/灵敏度调节按钮
- ⑤ 工作状态指示灯
- ⑥ 转牙锁盘
- ⑦ 1/4冷靴底座
- ⑧ 减震支架
- ⑨ 3.5mm 音频输出线



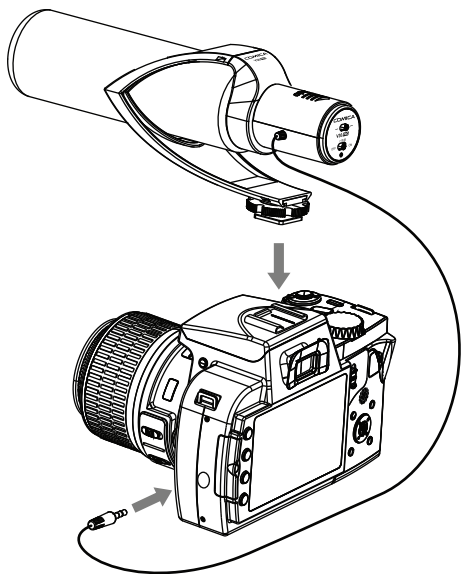
1. 打开电池仓，安装电池



2. 安装防风毛（建议在户外/风噪大的环境下，使用防风毛）



3. 将麦克风通过冷靴底座与相机相连，拧紧锁盘至固定，并连接麦克风3.5mm音频线至相机音频接口

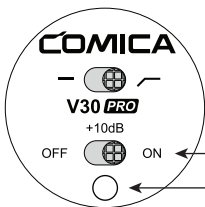


4. 开关机/灵敏度提升/状态指示

右滑至'On'麦克风开机，开机后即可开始录音；

右滑至'+10dB'麦克风灵敏度提升10dB，录制的声音将相应变大；

左滑至'Off'麦克风关机，关闭录音



开关机/灵敏度提升

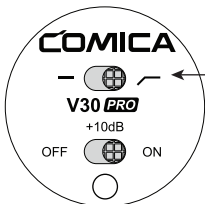
状态指示：

绿灯常亮=正常工作状态

红灯常亮=低电工作状态（请立即更换电池）

5. 根据个人需求，选择是否开启低切功能

右滑至'/'开启低切功能；左滑至'-'关闭低切功能



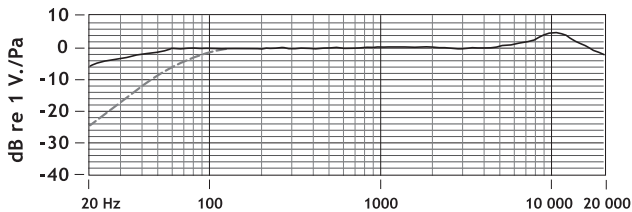
低切功能

技术参数

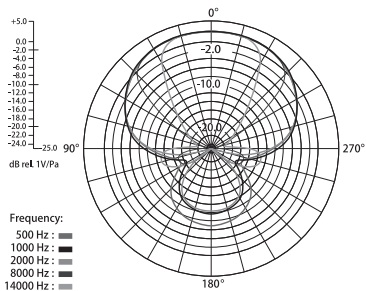
产品参数：

指向性	超心型
频响范围	20Hz ~ 20kHz
灵敏度	-33dB±2dB / -23dB±2dB
输出阻抗	200Ω
信噪比	75dB
等效噪声	19dBA
最大声压级	120dB
动态范围	101dB
输出类型	3.5mm TRS 接头
电池	AAA 1.5V x 2节
功耗	8mW
产品重量	114g
产品尺寸	210 x 62 x 80mm
工作温度	0 ~ 50℃
存储温度	-20℃ ~ 60℃

频率响应:



指向性图:





扫二维码关注
科唛官方公众号



COMICA科唛



COMICA科唛



COMICA科唛



COMICA科唛

邮箱：support@comica-audio.com

电话：400-8303-981

网址：comica-audio.com

版权及科唛商标归咔莱科技有限公司所有