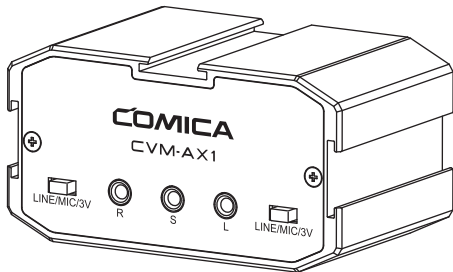


COMICA
PROFESSIONAL AUDIO EQUIPMENT

CVM-AX1

3.5mm Dual-Group Audio Mixer



USER MANUAL

Foreword

Thanks for purchasing COMICA CVM-AX1 3.5mm Dual-Group Audio Mixer.

Main Features

- Dual 3.5mm Mics Audio Mixer
- Support both Positive and Passive Mic
- Support Real-time Monitoring
- Dual Gain Control Knobs
- Mono/Stereo Output Switch
- Designed with Working Status Indicator
- Driven by AAA Battery
- Three Cold Shoes for Flexible Use
- Aluminum Alloy Material

Notice

- ⚠ When working with other products which have high sensitivity, the gain of our product should be adjusted to the appropriate position to avoid the situation of excessive noise (it is recommended to adjust the gain to the minimum state when the product is turned on, and then adjust it step by step).
- ⚠ Mono and stereo mode cannot be used simultaneously.
- ⚠ Please do not put the device beside the heat or interference source.
- ⚠ Please avoid falling, collision or pounding during usage.
- ⚠ Don't expose the device in rain or moist environment .

Package Contents

- ① Audio Mixer
- ② 3.5mm TRS-TRS Audio Cable
- ③ Cold Shoe Mount
- ④ User Manual
- ⑤ Warranty Card



①



②



③



④

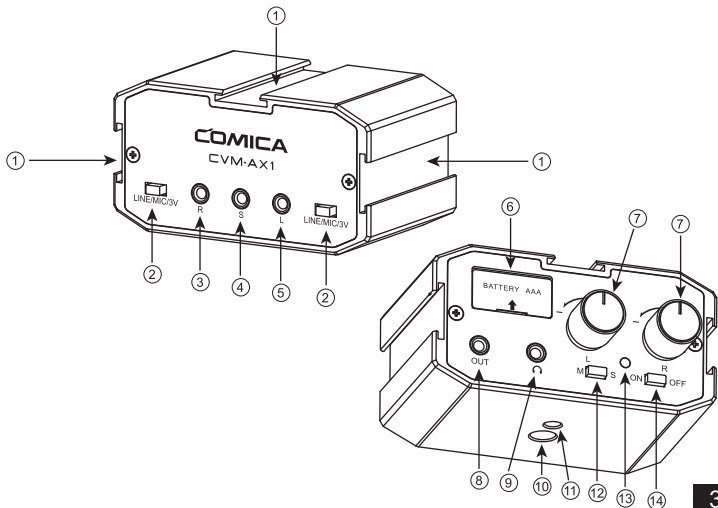


⑤

Components and Instruction

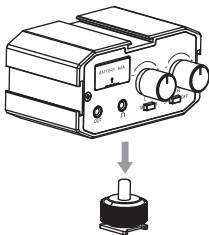
Audio Mixer

- | | |
|--------------------------|-----------------------------|
| ① Cold Shoe Interface | ⑧ Audio Output Jack |
| ② LINE/MIC/3V Switch | ⑨ Real-time Monitoring Jack |
| ③ Mono Input Jack(Right) | ⑩ 3/8 Screw Hole |
| ④ Stereo Input Jack | ⑪ 1/4 Screw Hole |
| ⑤ Mono Input Jack(Left) | ⑫ Mono/Stereo Switch |
| ⑥ AAA Battery Holder | ⑬ Power Indicator Light |
| ⑦ Gain-Control Knob | ⑭ Power Switch |

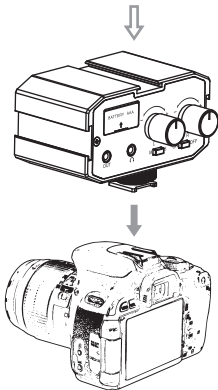


Installation and Usage

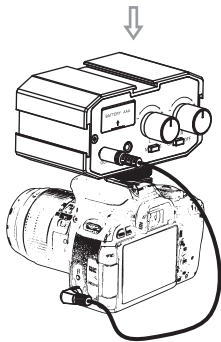
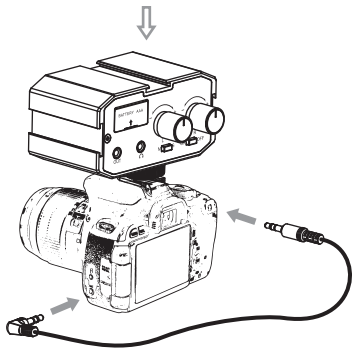
1. Mount the cold shoe mount to the audio mixer



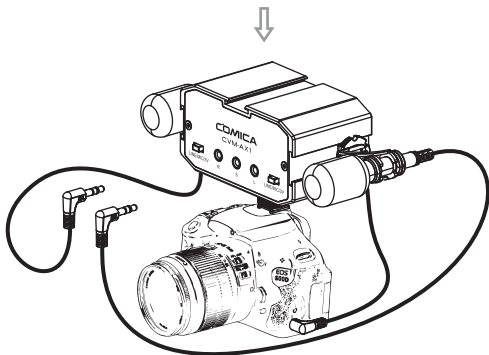
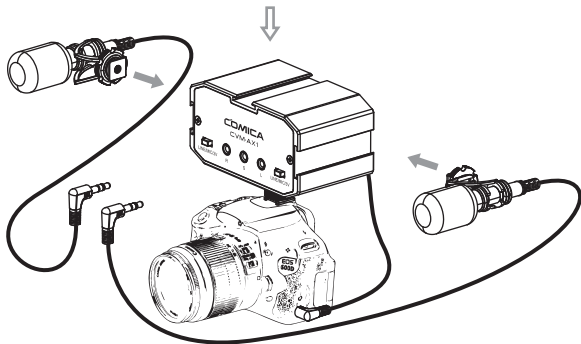
2. Fix the audio mixer to the camera with the cold shoe mount



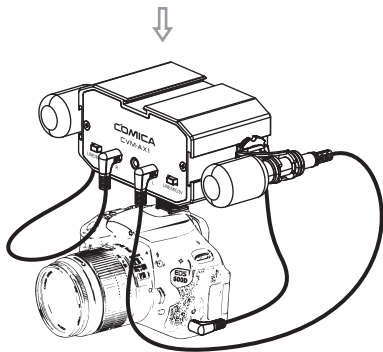
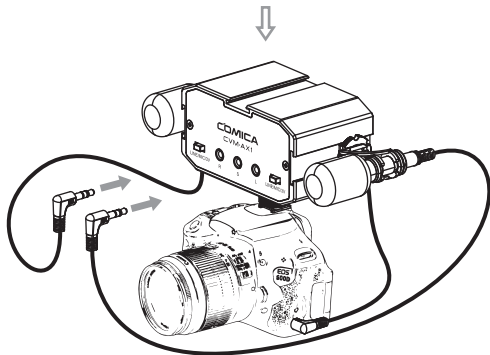
3. Connect audio mixer's Audio Output Jack(OUT) and camera Audio Input Jack with a audio cable



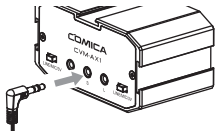
4. Mount mics to the cold-shoe Interfaces of audio mixer



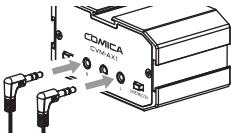
5. Connect the mic and audio mixer



☞ For stereo mic, connect it to the stereo input jack ('S')

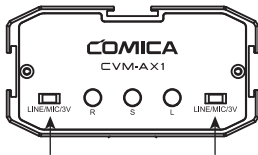


☞ For mono mic, connect it to the corresponding 'L' / 'R' input jack



☞ Before using, you need to set the "LINE/MIC/3V switch" to the corresponding position according to the microphone type

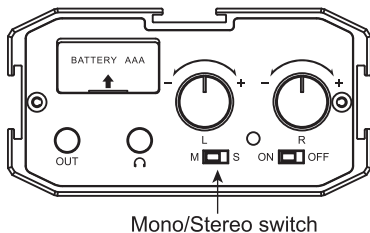
- If you are using LINE IN input, set the switch to the "LINE";
- If you are using a positive microphone (Microphone with internal battery-powered), set the switch to the "MIC";
- If you are using a passive microphone (Microphone without internal battery-powered), set the switch to the "3V"



LINE/MIC/3V Switch

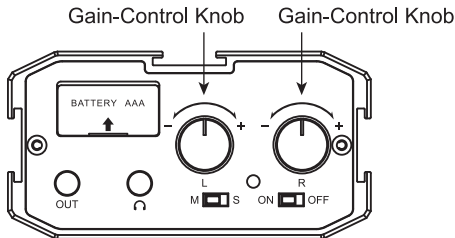
LINE/MIC/3V Switch

6. Set Mono/Stereo switch

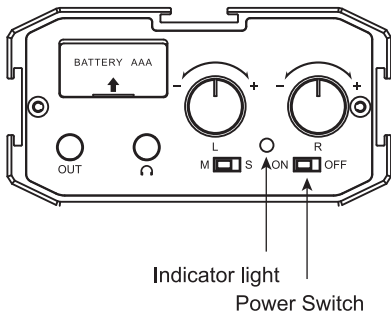


- a. When uses only one mic or one channel, select 'M' and the output is mono
- b. When uses two mics or two channels simultaneously, you can optionally switch to 'M' (Mono Mode) or 'S' (Stereo Mode) according to your needs

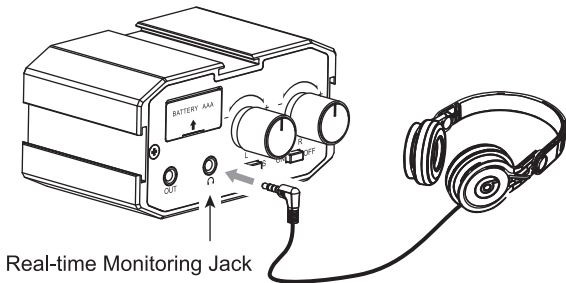
7. To ensure the recording quality, please turn Gain-Control Knob of the left and right to the proper volume position to get the best audio effect



8. Power on, the indicator light up, and recording starts



9. If you want to check the audio, you can plug headphone cable into the Real-time Monitoring Jack to monitor audio



Tech Parameters

Input	Mono x 2(L/R); Stereo x 1(S)
Output	3.5mm Port Output; Headphone Output
Frequency Response	20Hz~20kHz, ± 1 dB
Audio Distortion	<0.5%
Gain Adjustment	10dB
Battery	1.5V AAA x 2
Power Consumption	30mW
Dimension	95 x 55 x 49mm
Weight	225g
Working Temperature	0°C ~ +50°C
Storage Temperature	-20°C ~ +60°C



Website: comica-audio.com

Facebook: Comica Audio Tech Global

Instagram: Comica Audio

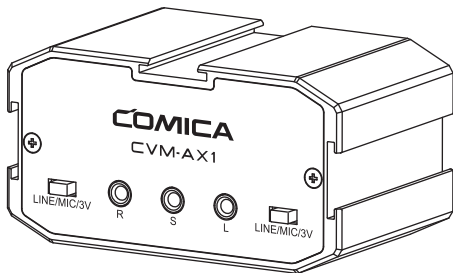
YouTube: Comica Audio

COMICA is a registered trademark owned by Commlite Tech Co.,Ltd

Email: support@comica-audio.com

CVM-AX1

3.5mm音频输入麦克风混音器



前 言

感谢您购买科唛COMICA CVM-AX1 3.5mm音频输入麦克风混音器。

产品主要功能

- 双3.5mm麦克风音频合二为一
- 支持主动式/被动式电源麦克风
- 实时监听
- 双音量调节旋钮
- 单声道/立体声音频输出
- 状态指示灯设计
- AAA电池供电
- 底部/两侧冷靴接口设计
- 全金属制造

注意事项

- ⚠ 搭配部分灵敏度较高的产品使用时，需将本产品的增益调至合适位置以避免出现噪音过大的情况（建议在开机时将增益调至最小状态，再逐级进行调节）
- ⚠ 单声道和立体声输入不能同时工作
- ⚠ 使用时请远离热源或干扰源
- ⚠ 使用时请避免掉落，碰撞或重击
- ⚠ 请勿在下雨或潮湿环境环境中使用，否则会有短路的危险

包装清单

- ① 混音器
- ② 3.5mm TRS-TRS音频连接线
- ③ 冷靴座
- ④ 说明书
- ⑤ 保修卡



①



②



③



④

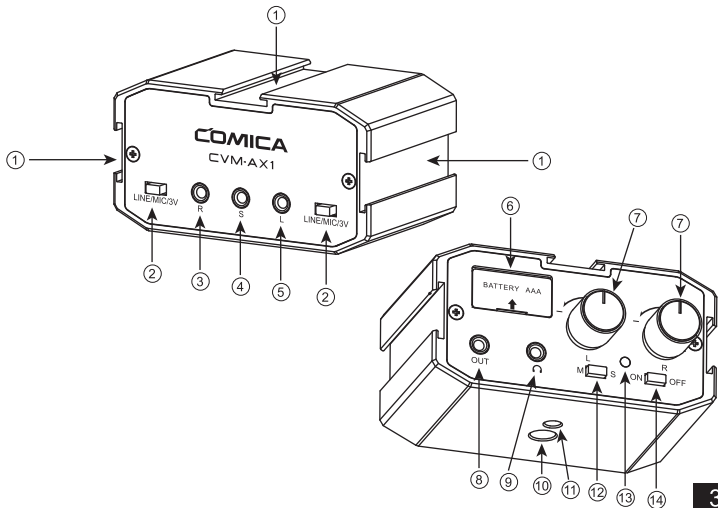


⑤

部件介绍及说明

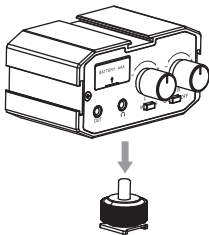
混音器主体

- | | |
|-----------------|-------------|
| ① 冷靴接口 | ⑧ 音频输出孔 |
| ② LINE/MIC/3V开关 | ⑨ 监听孔 |
| ③ 单声道输入孔（右） | ⑩ 3/8螺孔 |
| ④ 立体声输入孔 | ⑪ 1/4螺孔 |
| ⑤ 单声道输入孔（左） | ⑫ 单声道/立体声开关 |
| ⑥ AAA电池仓 | ⑬ 指示灯 |
| ⑦ 音量控制旋钮 | ⑭ 电源开关 |

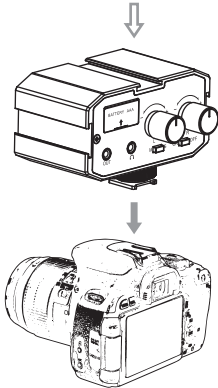


安装与使用

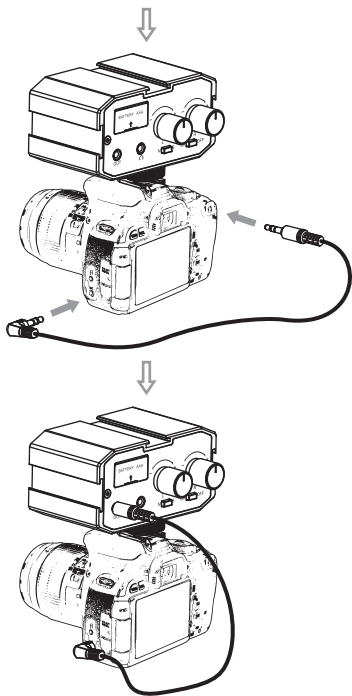
1. 将冷靴座安装至混音器



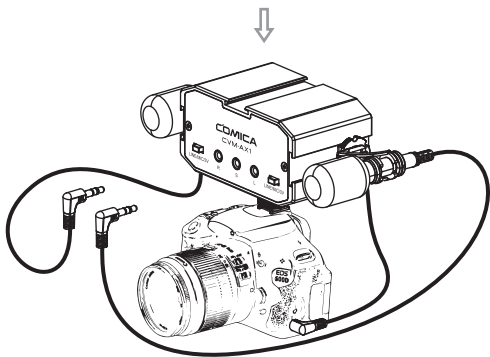
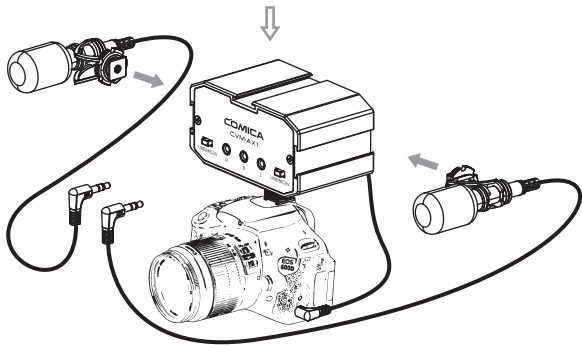
2. 将混音器通过冷靴座固定至相机



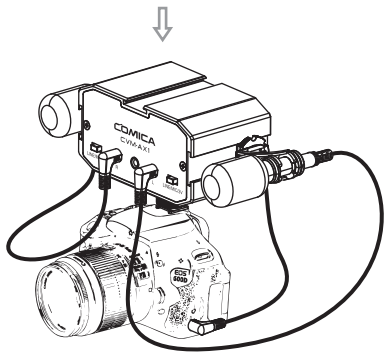
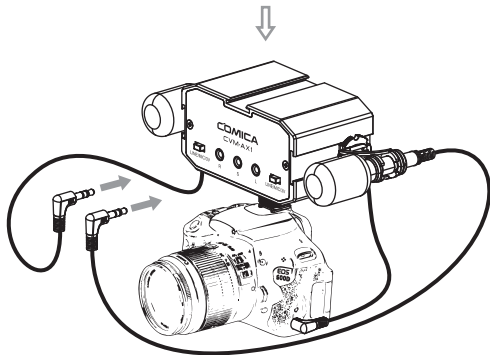
3. 用3.5mm音频输出线连接混音器输出孔（OUT）与相机的麦克风输入孔



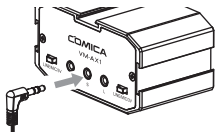
4. 将麦克风固定至混音器冷靴接口



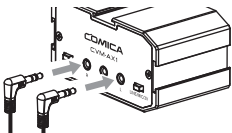
5. 连接麦克风与混音器



☞ 若是立体声麦克风，接入“S”立体声输入孔

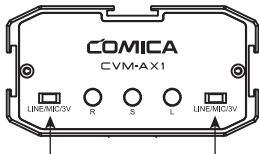


☞ 若是单声道麦克风，接入对应的“L”、“R”输入孔



☞ 使用时，务必根据使用需求以及麦克风类型，将‘LINE/MIC/3V开关’拨动至相应位置：

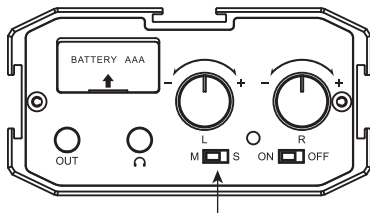
- 如使用LINE IN 输入，将开关拨至‘LINE’；
- 如使用主动麦克风(麦克风内部有电池供电)，将开关拨至‘MIC’；
- 如使用被动麦克风(麦克风内部无电池供电)，将开关拨至‘3V’；



LINE/MIC/3V开关

LINE/MIC/3V开关

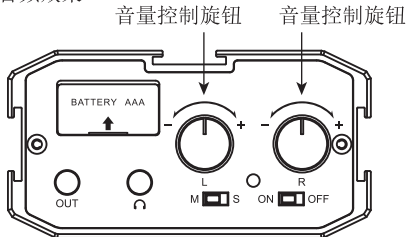
6. 设置单声道/立体声 (M/S) 开关



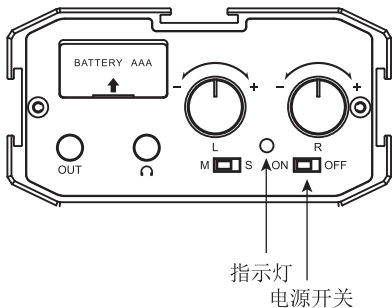
单声道/立体声 (M/S) 开关

- ☞ a. 若使用单只麦克风或一个声道进行录音时，请将开关拨动至‘M’单声道模式，此状态下只支持M单声道输出；
- b. 若使用双只麦克风或两个声道同时进行录音，您可根据个人需求选择‘M’（单声道录音）或‘S’（立体声录音）；

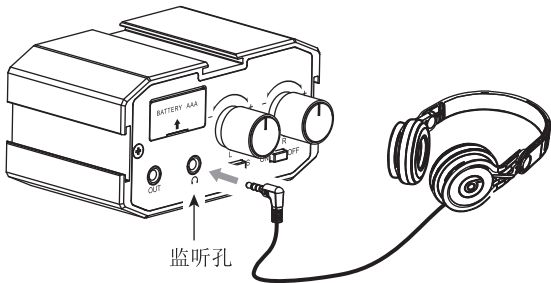
7. 为保证录音质量，请将左右声道的两个音量控制旋钮调至合适大小，以获得最佳音频效果



8. 开机，指示灯亮起，开始录音



9. 如果您想随时检测音频质量，可以将耳机插入混音器监听孔进行监听



技术参数

输入	3.5mm单声道 x 2(L/R), 3.5mm立体声 x 1(S)
输出	3.5mm音频输出, 3.5mm耳机输出
频响	20Hz~20kHz, ± 1 dB
音频失真	<0.5%
增益	10dB
电池	1.5V AAA x 2
功耗	30mW
尺寸	95 x 55 x 49mm
净重	225g
工作温度	0°C ~ +50°C
存储温度	-20°C ~ +60°C



扫二维码关注
科唛官方公众号



COMICA科唛



COMICA科唛



COMICA科唛



COMICA科唛

邮箱: support@comica-audio.com

电话: 400-8303-981

网址: comica-audio.com

版权及科唛商标归咪莱科技有限公司所有