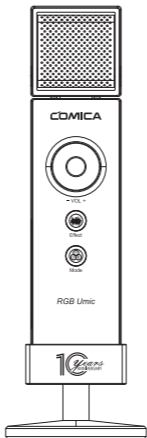


COMICA

PROFESSIONAL AUDIO EQUIPMENT



RGB Umic

RGB Cardioid Condenser USB Microphone

User Manual

Foreword

Thanks for purchasing RGB Umic

Main Features

- . 16mm Cardioid Condenser Mic for Professional Studio Quality
- . 48kHz/24bit Audio Recording, Intelligent Denoise
- . USB-C Digital Output Port, Plug and Play
- . Dynamic Radiant RGB Light with 7 Unique RGB Effects
- . Built-in Sound Card with 3 Reverb Modes
- . Support Two-way Monitoring, Muting and Gain Control
- . Built-in Lithium Battery, Support Using While Charging
- . Designed with 1/4 Threaded Hole, Flexible Extension
- . Detachable Desktop Stand, Unique Wood Grain Design

Notice

- ⚠ When used with iPhone, the iPhone's power supply can't handle the RGB light, so it's necessary to charge the RGB Umic in advance to ensure the normal operation of the RGB light
- ⚠ The RGB light is turned on by default in the USB audio output mode
- ⚠ Please purchase the corresponding USB-Lightning adapter cable/adapter by yourself when using with Lightning devices
- ⚠ Please aim the front of the microphone at the sound source to get an excellent recording
- ⚠ Do not use the equipment in the vicinity of heat source or interference source, such as radiator, oven, refrigerator or air conditioner
- ⚠ The product belongs to high-precision instruments, please avoid falling, collision or pounding
- ⚠ Do not use the equipment in rain or in the damp environment to avoid short-circuit danger

Tips

When used in computer, please follow the steps below:

- ① Connect RGB Umic to the computer
- ② Click sound setting and set the "Comica_RGB Umic" as the input and output device

Sound

Output

Choose your output device

Comica_RGB Umic

Input

Choose your input device

Comica_RGB Umic

Packing List

Main Part:



RGB Umic

Accessories:



2 in 1 Audio Cable

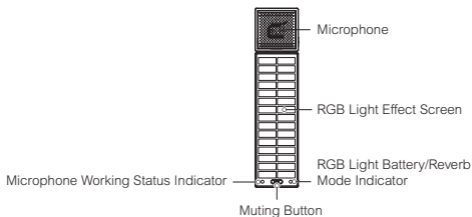
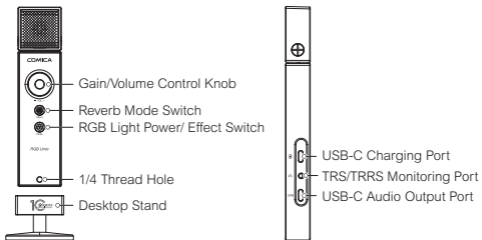


User Manual



Warranty Card

Components and Instruction



1. Microphone

Please aim the front 'C' logo of the microphone at the sound source to get an excellent recording.

2. RGB Light Effect Screen

Show seven RGB light effects and charging status, the red light shows on the full screen when complete charge.

3. Microphone Working Status Indicator

Blue light keeps on when in normal recording; Red light keeps on when in muting mode.

4. Muting Button

Short press to switch normal recording/muting.

5. RGB Light Battery/Reverb Mode Indicator

Red light flickers when in low battery; Purple light keeps on when in original sound mode; Blue light keeps on when in room reverb mode; Yellow light keeps on when in stage reverb mode; Green light keeps on when in hall reverb mode.

6. USB-C Charging Port

Connect with power bank/external power for charging.

7. TRS/TRRS Monitoring Port

Plug in 3.5mm TRS/TRRS headphones for real-time monitoring.

8. USB-C Audio Output Port

Connect computer/smartphone via 2 in 1 audio cable.

9. Gain/Volume Control Knob

Turn clockwise to increase mic gain and headphone monitor volume; Turn counterclockwise to decrease mic gain and headphone monitor volume.

10. Reverb Mode Switch

Short press 'Effect' to switch normal/room/stage/hall recording mode.

11. RGB Light Power/ Effect Switch

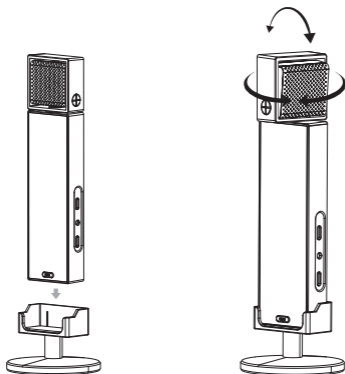
Long press 'Mode' to turn on/off; Short press 'Mode' to switch 7 kinds of light effects.

Installation and Usage

Installation

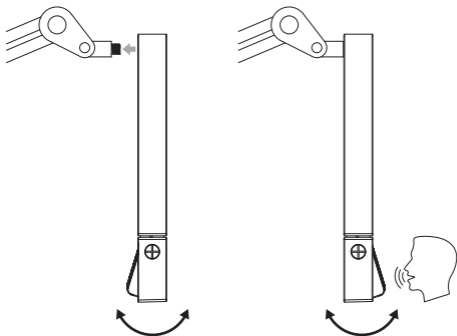
Work with the Desktop Stand

Put the microphone into the desktop stand; Adjust the angle of the microphone to meet your needs.



Work with the Microphone Arm Stand

Connect the microphone and the microphone arm stand through the 1/4 threaded hole of the microphone; Adjust the angle of the microphone to meet your needs.



You can adjust RGB Umic's capsule in all directions to fit your different pickup angles.

Usage

RGB Light Mode

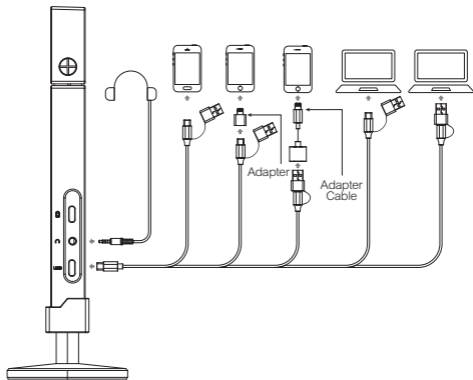
Long press 'Mode' to turn on the RGB light; Place RGB Umic as you want, create the atmosphere you need via seven lighting effects.



Mode

USB Audio Output Mode

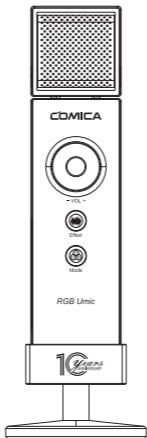
Connect the RGB Umic with smartphone/computer through 2 in 1 audio cable and related audio adapter cable/adapter; Choose whether to monitor according to your needs.



The RGB light is turned on by default in the USB audio output mode.

Specifications

Polar Pattern	Cardioid Pattern
Sensitivity	-37dB±2dB
Frequency Response	20Hz ~ 20kHz
Maximum SPL	120dB
S/N	70dB
Equivalent Noise	24dBA
Dynamic Range	96dB
Sampling Rate	48kHz
Bit Depth	24-bit
Output Port	USB-C
Monitoring Port	3.5mm TRS/TRRS
Charging Port	USB-C/5V1A
Weight	140g (Exclude Base)
Dimension	45 x 20 x 215mm
Working Temperature	0°C ~ +50°C
Storage Temperature	-20°C ~ +60°C



RGB Umic

RGB心型电容USB麦克风

用户使用手册

前言

感谢您购买科唛RGB心型电容USB麦克风

产品主要功能

- . 16mm心型电容咪头，专业棚级音质
- . 48kHz/24bit录音，智能降噪
- . USB-C数字输出，即插即用
- . 动态RGB模块设计，7种灯效模式可控
- . 内置声卡，3种混响模式选择
- . 支持双向监听，一键静音，增益可调
- . 智能电源管理系统，可边充边用
- . 底部1/4螺纹孔设计，灵活延展及组合
- . 可拆卸底座，独特木纹设计等多功能

注意事项

- ⚠ 搭载iPhone使用时，iPhone的电量供给无法负荷RGB灯光，需要提前给RGB Umic充电保证灯光的正常工作
- ⚠ USB音频输出模式下，RGB灯为默认开启状态
- ⚠ 搭配Lightning接口设备时，请自行购买对应的USB-Lightning转接线/转接头
- ⚠ 为获得更好的录音效果，请将麦克风的正面对准音源
- ⚠ 请勿将本设备放置在热源或干扰源附近使用，如散热器、烤箱、冰箱、空调等
- ⚠ 本产品属于高精密仪器类产品，请避免使用时掉落、碰撞或重击
- ⚠ 不要在雨中或潮湿的环境中使用该设备，否则会有短路的危险

提示

当用于电脑时，请按以下步骤进行操作：

- ① 将RGB Umic连接电脑
- ② 打开声音设置界面，选择“Comica_RGB Umic”为输出和输入设备

声音

输出

选择输出设备

Comica_RGB Umic

输入

选择输入设备

Comica_RGB Umic

包装清单

主体:



RGB Umic麦克风

配件:



USB C-USB C/USB A
二合一音频连接线

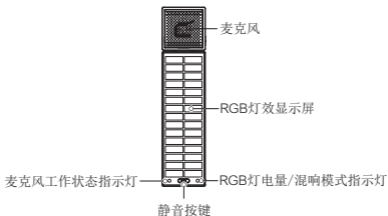
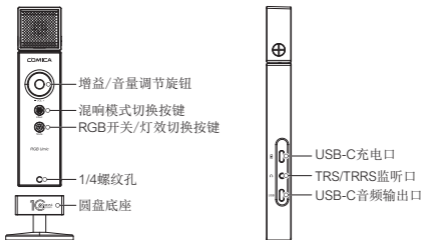


说明书



保修卡

部件介绍及说明



产品部件功能说明

1. 麦克风

声源对准正面的“C”字logo，咪头可旋转进行多角度拾音

2. RGB灯效显示屏

展示七种RGB灯效；展示RGB灯充电状态，充满电时，显示屏呈满屏红色

3. 麦克风工作状态指示灯

麦克风正常拾音，指示灯亮蓝色；麦克风静音时，指示灯亮红色

4. 静音按键

短按切换麦克风正常拾音/静音

5. RGB灯电量/混响模式指示灯

RGB灯低电量时，红灯闪烁；原声模式下，指示灯亮紫色；室内混响模式下，指示灯亮蓝色，舞台混响模式下，指示灯亮黄色，大厅混响模式下，指示灯亮绿色

6. USB-C充电口

可外接充电宝/外部电源充电

7. TRS/TRRS监听口

可插入3.5mmTRS/TRRS的耳机进行实时监听

8. USB-C音频输出口

通过USB C-USB C/USB A二合一音频连接线连接电脑/手机

9. 增益/音量调节旋钮

顺时针旋转增大麦克风增益及耳机监听音量；逆时针旋转减小麦克风增益及耳机监听音量

10. 混响模式切换按键

短按'Effect'键切换原声/室内/舞台/大厅模式

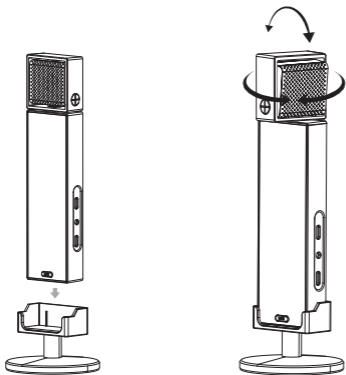
11. RGB灯开关/灯效切换按键

长按'Mode'键打开/关闭RGB灯；短按'Mode'键切换七种灯效

安装方法

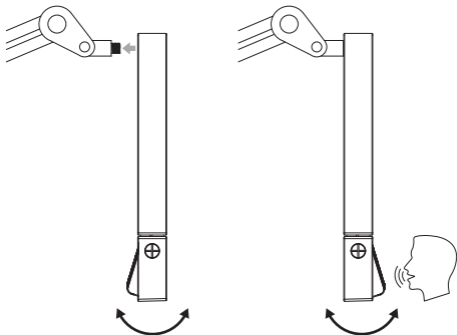
搭配圆盘底座


将麦克风放置进圆盘底座；根据个人需求调节麦克风的角



搭配悬臂支架

通过麦克风的1/4螺纹孔连接麦克风和悬臂支架；根据个人需求调节麦克风的角度



 RGB Umic的咪头可上下左右全方位旋转调节拾音角度，满足您的不同需求

使用方法

RGB氛围灯模式

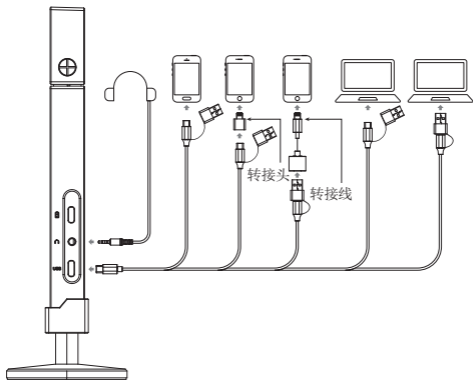
长按'Mode'按键，打开RGB氛围灯；可任意放置，调节氛围



Mode

USB音频输出模式

通过USB C-USB C/USB A二合一音频连接线和相关音频转接线/转接头连接麦克风和手机/电脑；根据个人需求选择是否监听



USB音频输出模式下，RGB灯默认为开启状态

技术规格

指向性	心型指向
咪头灵敏度	-37dB±2dB
麦克风频率响应	20Hz ~ 20kHz
最大声压级	120dB
信噪比	70dB
等效噪声	24dBA
动态范围	96dB
采样率	48kHz
位深	24-bit
输出接口	USB-C
监听接口	3.5mm TRS/TRRS
充电接口	USB-C/5V1A
产品重量	140g (不包含底座)
产品尺寸	45 x 20 x 215mm
工作温度	0°C~+50°C
储存温度	-20°C~+60°C



Website: comica-audio.com

Facebook: Comica Audio Tech Global

Instagram: Comica Audio

YouTube: Comica Audio

Email: support@comica-audio.com

The COMICA LOGO is a trademark which is registered and owned by
Commlite Technology Co.,Ltd