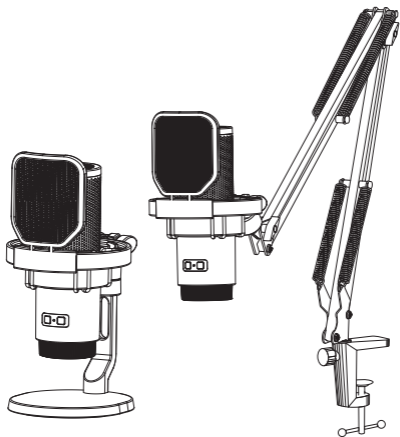


COMICA

PROFESSIONAL AUDIO EQUIPMENT



EJoy Uni

RGB Cardioid Condenser USB Microphone

User Manual

Foreword

Thanks for purchasing Comica EJoy Uni

Main Features

- 48kHz/24bit Recording, Professional Studio Quality
- Built-in Sound Card, Plug and Play
- Support Gain Control, Monitoring, One-key Denoise & Muting
- Dynamic Radiant RGB Light with 3 Unique RGB Effects
- USB-C Digital Output, Universal for Smartphone/Computer
- Unique Shock-mount and Metal Pop Filter
- Adjustable Boom Arm, Loading Up to 1.5kg —Uni (A)
- Equipped with Desktop Mic Stand, Flexible Extension —Uni (D)

Notice

- ⚠ Please aim the front of the microphone at the sound source to get an excellent recording
- ⚠ Do not use this equipment in the vicinity of a heat source or interference source, such as radiator, oven, refrigerator or air conditioner
- ⚠ This product is a high-precision instrument, please avoid falling, collision or pounding
- ⚠ Do not use the equipment in rain or in a damp environment to avoid short-circuit danger
- ⚠ Please store the product in a dry environment

- ⚠ When connect the mic with computer, please click sound setting and choose "Comica_EJoy Uni" as the output and input device

When connect the microphone with computer:

Sound

Output

Choose your output device

Comica_EJoy Uni

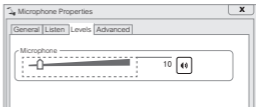
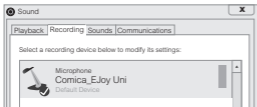
Input

Choose your input device

Comica_EJoy Uni

- ⚠ If the input sound is too loud when connected to the computer, users can adjust the computer's "Microphone Properties-Level" to reduce the gain(Take the Windows system as an example)

When connect the microphone with computer:



Packing List

EJoy Uni(A):



Microphone *1



Pop Filter *1



USB C-USB C/USB A
2 in 1 Audio Cable *1



Boom Arm *1



Hook and Loop
Fastener *5

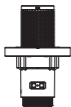


User Manual *1



Warranty Card *1

EJoy Uni(D):



Microphone *1



Pop Filter *1



USB C-USB C/USB A
2 in 1 Audio Cable*1



Desktop Mic Stand *1

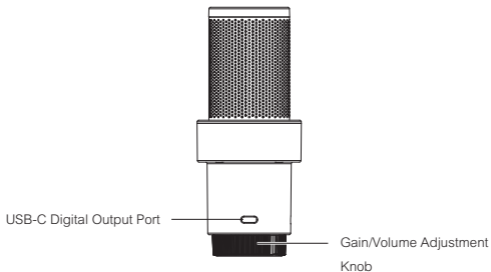
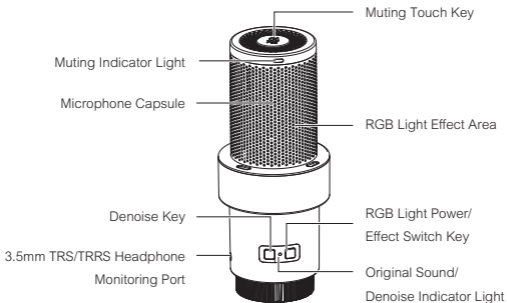


User Manual *1



Warranty Card *1

Microphone:



1. Muting Touch Key

Touch to adjust the microphone normal pick up or muting status

2. Muting Indicator Light

Red light keeps on when muting is on, no light will on when muting is off

3. Microphone Capsule

4. RGB Light Effect Area

5. Denoise Key

Short press to turn denoise on / off

6. RGB Light Power/Effect Switch Key

Long press to turn light power on/ off;short press to switch breathing light/dynamic gradient/ audio dynamics three kinds of light effects

7. Original Sound/Denoise Indicator Light

When the mic is turned on, blue light will on in the original sound state; green light will on in the denoise state

8. 3.5mm TRS/TRRS Headphone Monitoring Port

Plug in 3.5mm TRS/TRRS headphones for real-time monitoring

9. USB-C Digital Output Port

Connect to devices for audio output via the 2 in 1 audio cable

10. Gain/Volume Adjustment Knob

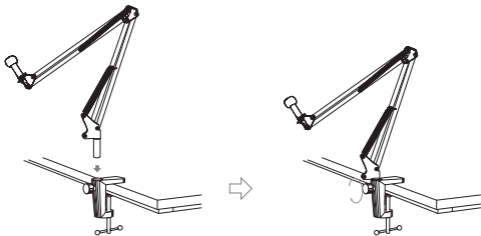
Taking the orange scale in the center as a standard, rotate left to decrease the mic gain and headphone monitoring volume; rotate right to increase the mic gain and headphone monitoring volume

Install the boom arm:

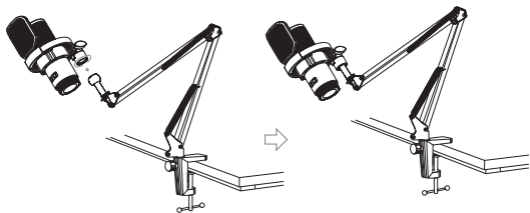
1. Clamp the stand base of boom arm to the desktop or other objects, then tighten the fixing clip clockwise



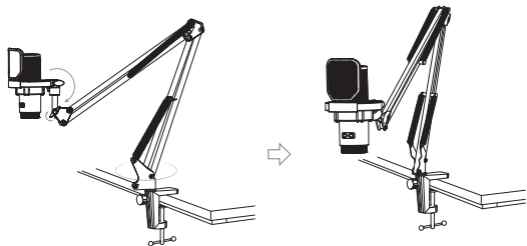
2. Connect the boom arm to the stand base, adjust the angle of boom arm through the fixing clip on stand base



3. Connect the mic shock-mount to the boom arm, then tighten the fixing clockwise



4. Adjust and fix the mic through the locking screw on boom arm

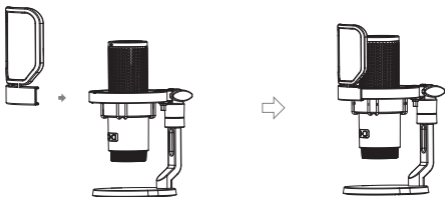


Install the desktop mic stand:

1. Connect the threaded hole of the shock-mount to the thread of the desktop mic stand, turn clockwise to tighten and fix



2. Install the pop filter on the shock-mount

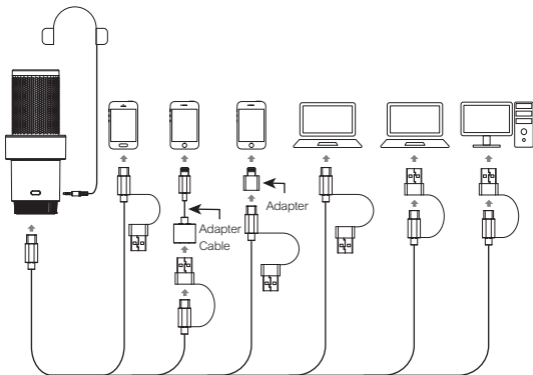


3. Adjust and fix the shock-mount and mic through the locking screw



Usage:

Connected the mic with smartphone/computer through 2 in 1 audio cable and related audio adapter cable/adapter; Choose whether to monitor according to your needs



1. Please purchase USB-Lightning adapter cables/adapters support OTG function by yourself when connected with lightning port devices
2. The mic will automatically switch on when connected with a device, and it will automatically turn off when disconnected from a device

Specifications

Directivity	Cardioid
Microphone Sensivity	-35dB±2dB
Frequency Range	20Hz ~ 20kHz
Maximum SPL	105dB (@ 1% THD)
Signal / Noise	72dB SPL(A-weighted,as per IEC651)
Equivalent Noise	22dB SPL(A-weighted,as per IEC651)
Dynamic Range	83dB SPL(A-weighted,as per IEC651)
Sampling Rate	48kHz
Bit Depth	Microphone Recording: 24-bit Headphone Monitoring: 16-bit
Output Interface	USB-C
Monitoring Port	3.5mm TRS/TRRS
Net Weight	Microphone Body: 121g
Dimension	Microphone Body: Φ 64.5 x L154.2mm
Operating Temperature	0℃~+50℃
Storage Temperature	-20℃~+60℃



Website: comica-audio.com

Facebook: Comica Audio Tech Global

Instagram: Comica Audio

YouTube: Comica Audio

COMICA is a registered trademark owned by Commlite Tech Co.,Ltd

Email: support@comica-audio.com