

Revo S

Wireless Reporter Microphone for Smartphone

User Manual

Foreword

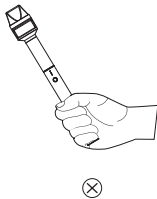
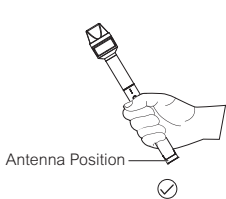
Thanks for purchasing Comica Revo S

Main Features

- Innovative Wireless Digital Output, Plug and Play
- 48kHz/24bit Recording, One-key Calmix® Denoise
- 14mm Condenser Mic Capsule, Cardioid Polar Pattern
- Support 3-level Gain Adjustment
- Built-in Lithium Battery, Duration Up to 15 Hours
- Full Metal Construction, Stable and Anti-interference

Notice

- △ Please do not cover the grey antenna position at the bottom with hand, so as not to cause signal blockage, affect transmitting distance and effect
- △ Please aim the front of the microphone at the sound source to get an excellent recording
- △ Do not use this equipment in the vicinity of a heat source or interference source, such as radiator, oven, refrigerator or air conditioner
- △ This product is a high-precision instrument, please avoid falling, collision or pounding
- △ Do not use the equipment in rain or in a damp environment to avoid short-circuit danger
- △ Please store the product in a dry environment



To avoid poor signal quality, do not block the antenna position during use

Packing List

Main Part:



Microphone (TX)



Receiver (RX)

Accessories:



USB-C Charging
Cable*1



Microphone Flag*1



Microphone
Sponge*1



Carrying Bag*1



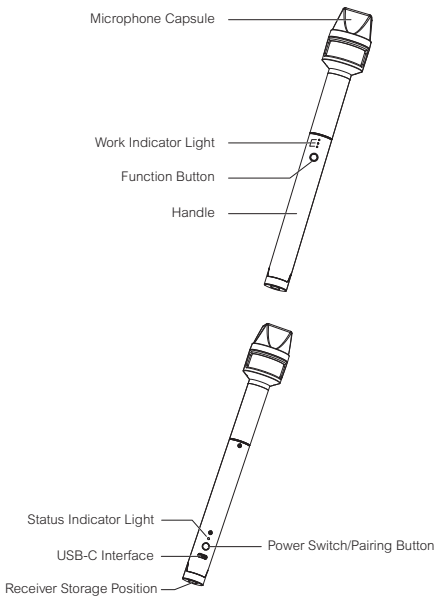
User Manual*1



Warranty Card*1

■ Components and Instruction

Microphone (TX)



1. Microphone Capsule

2. Work Indicator Light

Denoise off	Blue light keeps on
Denoise on	Green light keeps on
Number of lights on	Corresponding gain level
Unpair	Indicator light blinks slowly
Pairing	Indicator light blinks fast
Paired	Indicator light keeps on

3. Function Button

Short press to circularly adjust three levels of mic gain; long press to turn denoise on/off

4. Handle

5. Status Indicator Light

Normal status	Blue light keeps on
Unpair	Blue light blinks slowly
Pairing	Blue light blinks fast
Paired	Blue light keeps on
Low power	Red light blinks
Charging when powered off	Red light keeps on
Fully charged	Blue light keeps on

6. Power Switch/Pairing Button

Long press to turn the power on/off



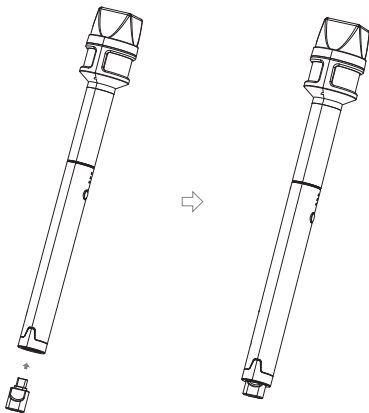
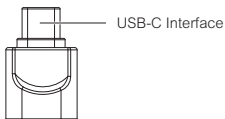
Long press the function button and power switch/pairing button to make the microphone enter pairing status


7. USB-C Interface

Charging the mic with a power bank/DC power supply via the charging cable

8. Receiver Storage Position

Receiver (RX) :

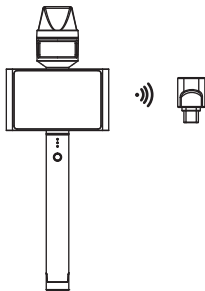


 Insert the receiver for storage

■ Installation and Usage

Pairing (The microphone and receiver are paired by default at the factory. If you need to re-pair it, please refer to the following pairing method)

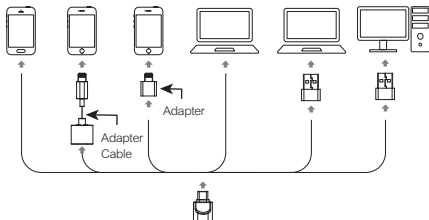
1. Turn the microphone(TX) on, long press the Function Button first, and then long press the Power Switch/Pairing Button in sync
2. After it enters pairing status, the Status Indicator Light and Work Indicator light blink fast in sync
3. Connect the receiver(RX) to a device to make it enters wireless status and finish pairing
4. After successful pairing, the Status Indicator Light and Work Indicator Light keeps on in sync



When pairing failure occurs in some mobile phones(such as HUAWEI, OPPO, etc.), please check whether the mobile phone OTG function has been turned on(most mobile phones turn on this function by default)

Usage

When connected with a device, please refer to the following connection methods:



Please purchase a USB C-Lightning adapter/cable that support OTG function when connected with lightning port devices

Specifications

Transmitting Power	+10dBm
Reception Sensitivity	-97dBm
Antenna Type	Ceramic Antenna
Wireless Delay	<20ms
Type	Condenser
Directivity	Cardioid
Microphone Sensitivity	-35dB±2dB
Frequency Range	20Hz ~ 20kHz
Maximum SPL	105dB (@ 1% THD)
Signal / Noise	72dB SPL(A-weighted,as per IEC651)
Equivalent Noise	22dB SPL(A-weighted,as per IEC651)
Dynamic Range	83dB SPL(A-weighted,as per IEC651)
Sampling Rate	48kHz
Bit Depth	24-bit
Output Interface	USB-C
Battery Type	Lithium Polymer 350mAh 3.7V
Standby Time	15 Hours
Net Weight	Microphone Body: 107g RX: 2.6g
Dimension	Microphone Body: Max Φ 40.8 x L277mm RX: 15.5 x 7.0 x 25.7mm
Operating Temperature	0°C~+50°C
Storage Temperature	-20°C~+60°C



Website: comica-audio.com

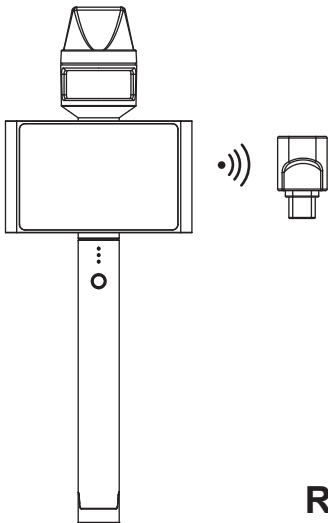
Facebook: Comica Audio Tech Global

Instagram: Comica Audio

YouTube: Comica Audio

COMICA is a registered trademark owned by Commlite Tech Co.,Ltd

Email: support@comica-audio.com



Revo S
无线手机采访麦克风

使用说明书

前言

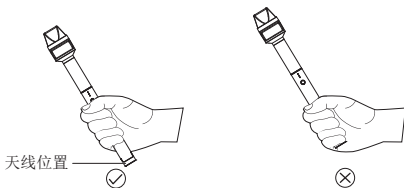
感谢您购买科唛Revo S

主要功能

- 创新无线数字输出，即插即用
- 48kHz/24bit录音，一键CalMix[®]降噪
- 14mm电容咪头，心型指向
- 支持3档增益调节
- 内置锂电池，无线续航15小时
- 全金属结构稳固耐用，超强屏蔽

注意事项

- △ 使用过程中，请勿用手遮挡最底部灰色天线位置，以免造成信号遮挡影响使用距离及效果
- △ 为获得更好的录音效果，请将麦克风的正面对准音源
- △ 请勿将本设备放置在热源或干扰源附近使用，如散热器、烤箱、冰箱、空调等
- △ 本产品属于高精密仪器类产品，请避免使用时掉落、碰撞或重击
- △ 不要在雨中或潮湿的环境中使用该设备，否则会有短路的危险
- △ 请在干燥环境中对该产品进行保存



使用时请勿遮挡天线位置，以免造成信号不良

■ 包装清单

主体:



麦克风(TX)



接收器(RX)

配件:



USB-C充电线*1



话筒台标*1



海绵罩*1



收纳袋*1



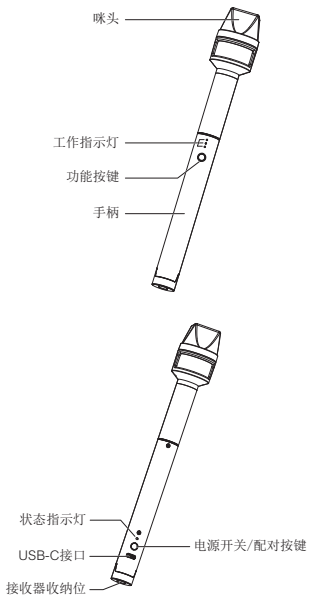
说明书*1



保修卡*1

■ 部件介绍及说明

麦克风 (TX)



1. 咪头

2. 工作指示灯

降噪关闭	蓝灯长亮
降噪开启	绿灯长亮
亮起灯珠数量	对应增益等级
未配对	指示灯慢闪
配对中	指示灯快闪
配对成功	指示灯长亮

3. 功能按键

短按循环调节三档增益，长按开启/关闭降噪

4. 手柄

5. 状态指示灯

正常状态	蓝灯长亮
未配对	蓝灯慢闪
配对中	蓝灯快闪
配对成功	蓝灯长亮
电量不足	红灯闪烁
关机状态充电	红灯长亮
电量充满	蓝灯长亮

6. 电源开关/配对按键

长按开机/关机



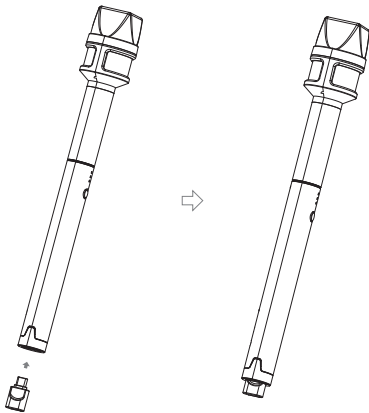
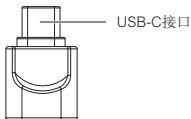
同时长按功能按键和电源开关/配对按键进入配对状态

7. USB-C接口

可通过充电线连接充电宝/DC电源进行充电

8. 接收器收纳位

接收器 (RX) :

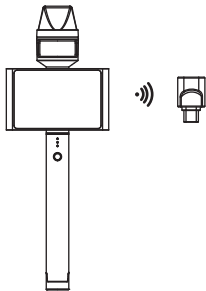


 可将接收器收纳至麦克风底座部位

■ 安装与使用

配对 (出厂时麦克风与接收器默认配对, 如遇特殊情况需重新配对可参考以下配对方法)

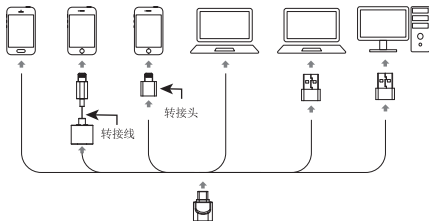
1. 将麦克风(TX)开机后, 先长按功能按键, 再同时长按电源开关/配对按键
2. 进入配对状态后, 状态指示灯和工作指示灯同时快闪
3. 将接收器(RX)连接至设备进入无线状态, 完成配对
4. 配对成功后, 状态指示灯和工作指示灯同时长亮




当部分手机(如HUAWEI、OPPO等)出现配对失败情况时, 请检查手机是否已开启手机OTG功能(多数手机默认开启此功能)

使用

当接收器连接设备使用时，请参考以下连接方式：



 搭配Lightning接口设备时，请自行购买支持OTG功能的USB C-Lightning转接线/转接头

规格参数

发射功率	+10dBm
接收灵敏度	-97dBm
天线类型	陶瓷天线
无线延迟	<20ms
类型	电容
指向性	心型指向
咪头灵敏度	-35dB±2dB
频率范围	20Hz ~ 20kHz
最大声压级	105dB (@ 1% THD)
信噪比	72dB SPL(A-weighted,as per IEC651)
等效噪声	22dB SPL(A-weighted,as per IEC651)
动态范围	83dB SPL(A-weighted,as per IEC651)
采样率	48kHz
位深	24-bit
输出接口	USB-C
电池类型	锂聚合物 350mAh 3.7V
续航时间	15小时
产品净重	麦克风主体：107g 接收器：2.6g
产品尺寸	麦克风主体：Max Φ40.8 x L277mm 接收器：15.5 x 7.0 x 25.7mm
工作温度	0℃~+50℃
储存温度	-20℃~+60℃



扫二维码关注
科唛官方公众号



COMICA科唛



COMICA科唛



COMICA科唛



COMICA科唛

邮箱: support@comica-audio.com

电话: 400-8303-981

网址: comica-audio.com

版权及科唛商标归哇莱科技有限公司所有