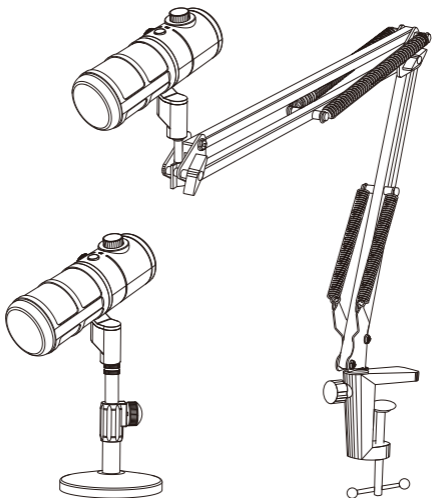


COMICA

PROFESSIONAL AUDIO EQUIPMENT



EJoy D10
RGB Cardioid Dynamic Microphone

User Manual

Foreword

Thanks for purchasing Comica EJoy D10

Main Features

- Cardioid Polar Pattern, Anti-noise Large Diaphragm Dynamic Mic
- XLR/USB-C Digital/Analog Outputs, Wide Compatibility
- 48kHz/24bit Recording, Built-in Sound Card, One-key Calmix® Denoise
- Support 4-level Gain Control and Step-less Monitoring Volume Adjustment
- Support Real-time Monitoring and Muting
- Dynamic Radiant RGB Light with 6 Optional Effects
- Support 3 EQ Modes for Customized Adjustment
- Boom Arm and Desktop Stand Optional, Flexible Extension

Notice

- ⚠ When outputting analog audio through the XLR port, all other functions are unavailable except for the dynamic audio signal delivery (Such as status indicator light, EQ effect, gain adjustment, RGB light effect, real-time monitoring, etc.)
- ⚠ When connecting the mic to a computer, please click the sound setting and choose "Comica_EJoy D10" as the output and input device

Sound

Output

Choose your output device

Comica_EJoy D10

Input

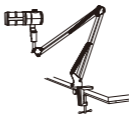
Choose your input device

Comica_EJoy D10

- ⚠ If the input sound is too loud when connected to the computer, users can adjust the computer's "Microphone Properties-Levels" to reduce the gain (Take the Windows system as an example)



- ⚠ Please aim the microphone capsule at the sound source to get an excellent recording



- ⚠ Do not use this equipment in the vicinity of a heat source or interference source, such as radiator, oven, refrigerator or air conditioner
- ⚠ This product is a high-precision instrument, please avoid falling, collision or pounding
- ⚠ Do not use the equipment in rain or in a damp environment to avoid short-circuit danger
- ⚠ Please store the product in a dry environment

Packing List

EJoy D10(A)



Microphone*1



2 in 1 Audio Cable *1



Boom Arm*1



Touch Fastener*5



User Manual*1



Warranty Card*1

EJoy D10(D)



Microphone*1



2 in 1 Audio Cable *1



Desktop Mic Stand*1



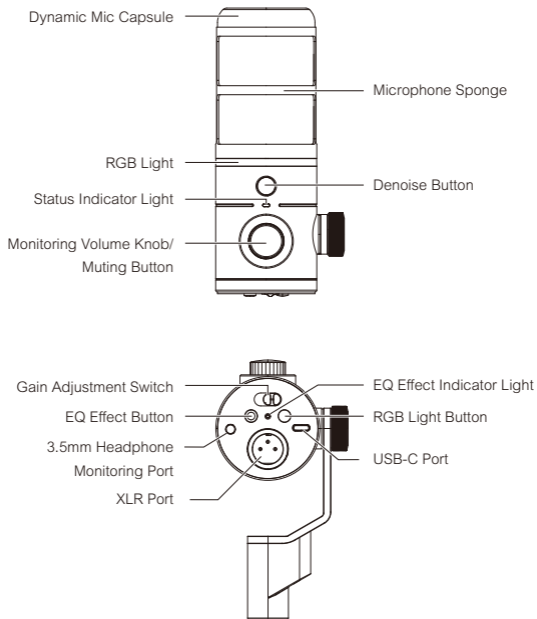
User Manual*1



Warranty Card*1

Components and Instruction

Microphone:



1. Dynamic Mic Capsule

2. Microphone Sponge

3. RGB Light

Audio dynamic/comica orange/ sea wave/colorful breathing light/RGB slow wave/rotating rainbow six RGB light effects; Red light keeps on during muting status

4. Denoise Button

Short press to turn denoise on/off

5. Status Indicator Light

Normal Status	Blue light keeps on
Denoise Status	Green light keeps on
Muting Status	Red light keeps on

6. Monitoring Volume Knob/ Muting Button

Rotate to the " + " direction to increase the headphone monitoring volume;
Rotate to the " - " direction to decrease the headphone monitoring volume;
Short press to turn muting function on/off

7. Gain Adjustment Switch

Move left or right to adjust four gain levels

8. EQ Effect Button

Long press to turn EQ effect on/off; short press to switch three EQ effects

9. EQ Effect Indicator Light

Bass	Orange
Nature	Blue
Bright	Green

10. RGB Light Button

Long press to turn light effect on/off; short press to switch six light effects

11. 3.5mm Headphone Monitoring Port

Plug in 3.5mm TRS/TRRS headphone for real-time monitoring

12. USB-C Port

Connect to devices for digital audio output via the 2 in 1 audio cable

13. XLR Port

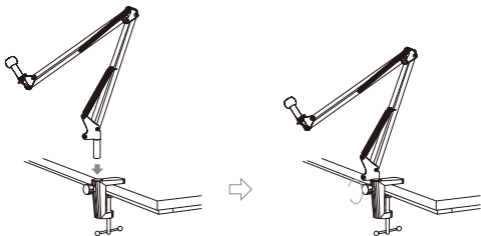
Connect to audio interface/recorder/mixer for analog audio output via the XLR-XLR or XLR-3.5mm TRS audio cable

Boom Arm Kit Installation:

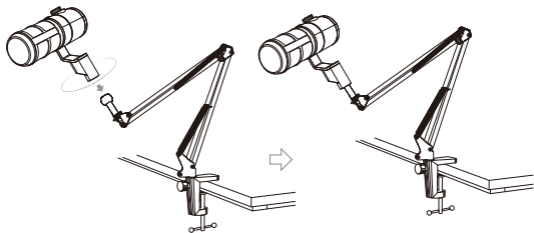
1. Clamp the stand base of boom arm to the desktop, tighten the screw on the bottom clockwise



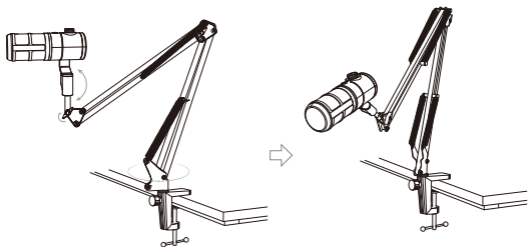
2. Insert the boom arm into the base socket, fix and adjust it by the screws on the side of the base



3. Connect the mic threaded hole to the boom arm's screw, rotate clockwise to fasten

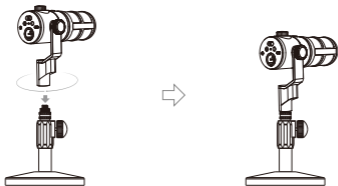


4. Adjust and fix the mic through the locking knob on boom arm

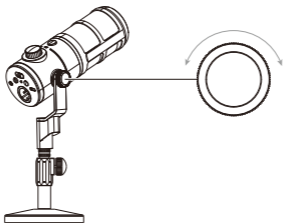


Desktop Stand Kit Installation:

1. Connect the threaded hole of mic to the screw of the desktop mic stand, rotate clockwise to fasten



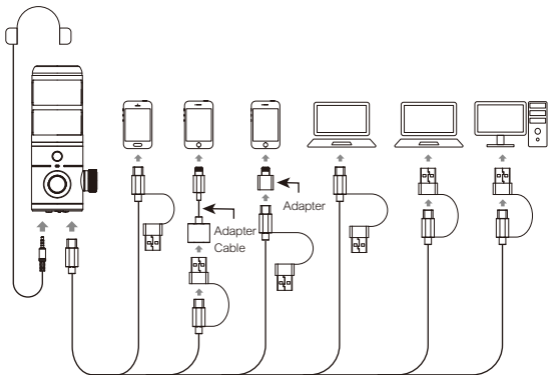
2. Adjust the angle of mic through the locking knob on it



Usage:

1. Digital Output

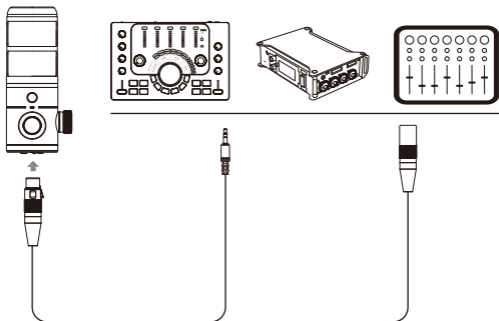
Connect the mic to smartphone/computer through 2 in 1 audio cable, choose whether to monitor according to your needs



1. Please purchase a USB C-Lightning adapter/cable that supports OTG function when connected with lightning port devices
2. The mic will automatically turn on when connected with a device, and will automatically turn off when disconnected from a device

2. Analog Output

Connect the mic to audio interface/recorder/mixer via the XLR-XLR or XLR-3.5mm TRS audio cable



1. When outputting analog audio through the XLR port, all other functions are unavailable except for the dynamic audio signal delivery (Such as status indicator light, EQ effect, gain adjustment, RGB light effect, real-time monitoring, etc.)
2. Please purchase XLR-XLR or XLR-3.5mm TRS audio cable by yourself when connected with XLR interface devices
3. The mic will automatically turn on when connected with a device, and will automatically turn off when disconnected from a device

Specifications

Type	Dynamic
Directivity	Cardioid
Microphone Sensitivity	-56dB re 1V/Pa(1.6mV @ 94dB SPL) ±2dB @ 1kHz
Frequency Range	55Hz ~ 16kHz
Maximum SPL	128dB (@ 1% THD)
Signal / Noise	72dB SPL(A-weighted,as per IEC651)
Equivalent Noise	22dB SPL(A-weighted,as per IEC651)
Dynamic Range	106dB SPL(A-weighted,as per IEC651)
Sampling Rate	48kHz
Bit Depth	Microphone Recording: 24-bit Headphone Monitoring: 16-bit
Digital Output Interface	USB-C
Analog output Interface	XLR 3-pin
Monitoring Interface	3.5mm TRS/TRRS
Net Weight	Microphone Body: 268g
Dimension	Microphone Body: Φ56mm x L160mm
Operating Temperature	0°C~+50°C
Storage Temperature	-20°C~+60°C



Website: comica-audio.com

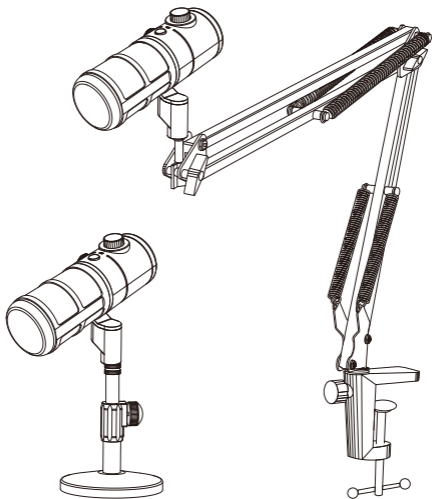
Facebook: Comica Audio Tech Global

Instagram: Comica Audio

YouTube: Comica Audio

COMICA is a registered trademark owned by Commlite Tech Co.,Ltd

Email: support@comica-audio.com



享听 D10
RGB心型动圈麦克风

产品使用说明书

前言

感谢您购买科唛享听D10

主要功能

- 心型指向大振膜动圈咪头，优质抗噪
- XLR/USB-C数字/模拟双输出，广泛兼容不同设备
- 48kHz/24bit录音，内置声卡及一键Calmix®降噪
- 四档增益及无级监听音量可调，实时监听及静音
- 动态RGB灯效，六种模式可选
- 三种EQ效果可选，风格不受限
- 悬臂支架和圆盘支架可选，灵活延展及组合

注意事项

- ⚠ 连接XLR接口进行模拟音频信号输出时，除了动圈音频信号正常发出，其他功能均无法正常启用（如：工作状态指示灯、EQ、增益调节、RGB灯效、实时监听等）
- ⚠ 当麦克风连接电脑使用时，请打开声音设置界面选择“Comica_EJoy D10”为输出和输入设备

声音

输出

选择输出设备

Comica_EJoy D10

输入

选择输入设备

Comica_EJoy D10

- ⚠ 若连接电脑输入时音量偏大，可调节电脑“麦克风属性-级别”降低增益（下面以Windows系统为例）



- ⚠ 为获得更好的录音效果，请将麦克风味头对准音源



- ⚠ 请勿将本设备放置在热源或干扰源附近使用，如散热器、烤箱、冰箱、空调等
- ⚠ 本产品属于高精密度仪器类产品，请避免使用时掉落、碰撞或重击
- ⚠ 不要在雨中或潮湿的环境中使用该设备，否则会有短路的危险
- ⚠ 请在干燥环境中对该产品进行保存

包装清单

享听D10 (A)



麦克风*1



二合一音频连接线 *1



悬臂支架 *1



魔术贴 *5



说明书 *1



保修卡 *1

享听D10 (D)



麦克风*1



二合一音频连接线 *1



圆盘支架 *1

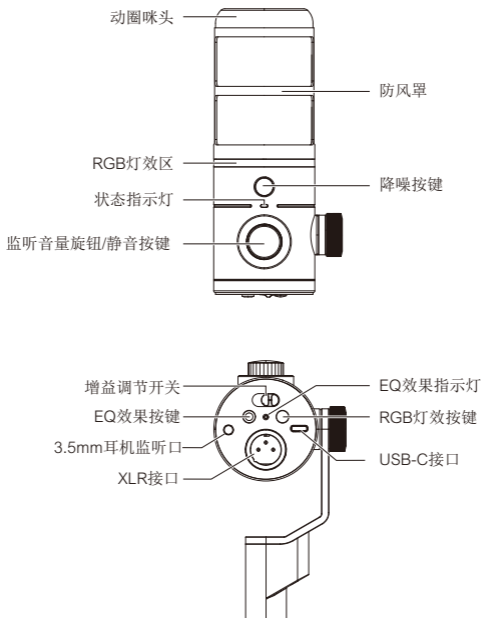


说明书 *1



保修卡 *1

麦克风:



1.动圈咪头

2.防风罩

3.RGB灯效区

音频动态/科峻橙/海浪/彩色呼吸灯/RGB慢波/旋转彩虹六种RGB灯效；静音状态下红灯长亮

4.降噪按键

短按开启/关闭降噪

5.状态指示灯

正常状态	蓝灯长亮
降噪状态	绿灯长亮
静音状态	红灯长亮

6.监听音量旋钮/静音按键

往+方向旋转增大耳机监听音量，往-方向旋转减小耳机监听音量；短按开启/关闭静音功能

7.增益调节开关

左右拨动调节四档增益

8.EQ效果按键

长按开启/关闭EQ效果；短按切换三种EQ效果

9.EQ效果指示灯

低沉	橙色
自然	冰蓝色
明亮	绿色

10.RGB灯效按键

长按开启/关闭灯效；短按切换六种灯效

11.3.5mm耳机监听口

可插入3.5mm TRS/TRRS耳机进行实时监听

12.USB-C接口

可通过二合一音频连接线连接设备输出数字音频

13.XLR接口

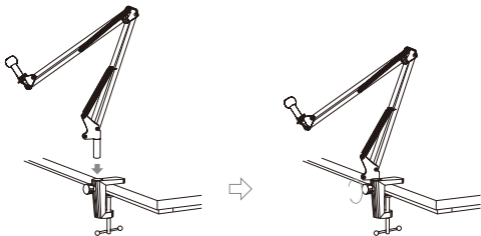
可通过XLR-XLR或XLR-3.5mm TRS音频线输出模拟音频至声卡/录音机/调音台等设备

安装悬臂支架套装:

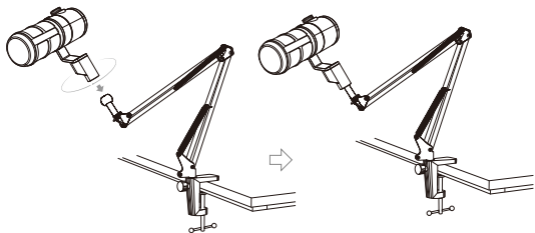
1. 将悬臂支架底座夹在桌面上，顺时针旋转底部螺丝固定



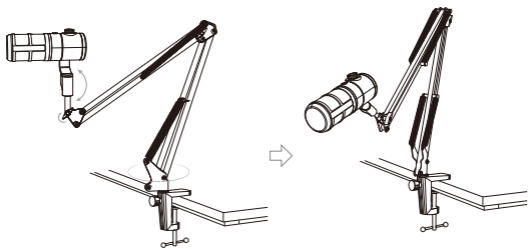
2. 将悬臂支架插入底座插口，通过底座侧面的螺丝来固定及调整支架的角度



3.将麦克风螺纹孔与悬臂支架螺丝相连，顺时针旋转固定



4.通过悬臂支架上的锁紧旋钮来调整和固定麦克风的位置

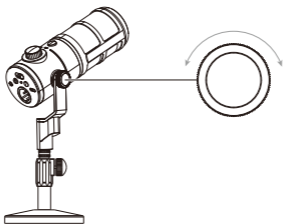


安装圆盘支架套装：

1.将麦克风螺纹孔与圆盘支架的螺丝相连，顺时针旋转固定



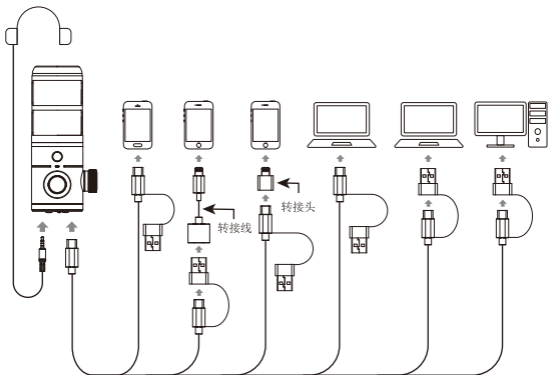
2.通过麦克风上的锁紧旋钮来调整麦克风的角度的



使用:

1.数字输出

通过二合一音频连接线连接麦克风 and 手机/电脑，可根据个人需求选择是否监听

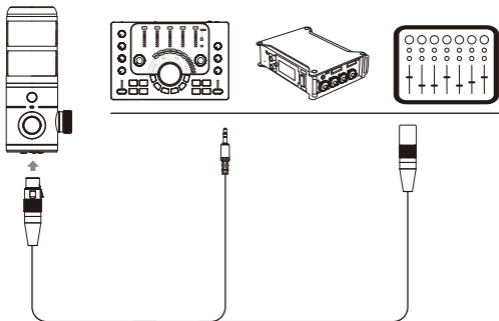


1.搭配Lightning接口设备时，请自行购买支持OTG功能的USB-Lightning转接线/转接头

2.麦克风连接设备后会自动开机；断开设备后会自动关机

2.模拟输出

通过XLR-XLR或XLR-3.5mm TRS音频线连接至声卡/录音机/调音台等设备使用



- 1.当连接XLR接口进行模拟音频信号输出时，除了动圈音频信号正常发出，其他功能均无法正常启用（如：工作状态指示灯、EQ、增益调节、RGB灯效、实时监听等）
- 2.搭配XLR接口设备时，请自行购买XLR-XLR或XLR-3.5mm TRS音频连接线
- 3.麦克风连接设备后会自动开机；断开设备后会自动关机

规格参数

类型	动圈
指向性	心型指向
咪头灵敏度	-56dB re 1V/Pa(1.6mV @ 94dB SPL) ±2dB @ 1kHz
频率范围	55Hz ~ 16kHz
最大声压级	128dB (@ 1% THD)
信噪比	72dB SPL(A-weighted,as per IEC651)
等效噪声	22dB SPL(A-weighted,as per IEC651)
动态范围	106dB SPL(A-weighted,as per IEC651)
采样率	48kHz
位深	麦克风录音: 24-bit 耳机监听: 16-bit
数字输出接口	USB-C
模拟输出接口	XLR 3-pin
监听接口	3.5mm TRS/TRRS
产品净重	麦克风主体: 268g
产品尺寸	麦克风主体: Φ56mm x L160mm
工作温度	0℃~+50℃
储存温度	-20℃~+60℃



扫二维码关注
科唛官方公众号



COMICA科唛



COMICA科唛



COMICA科唛



COMICA科唛

邮箱：support@comica-audio.com

电话：400-8303-981

网址：comica-audio.com

版权及科唛商标归味莱科技有限公司所有